

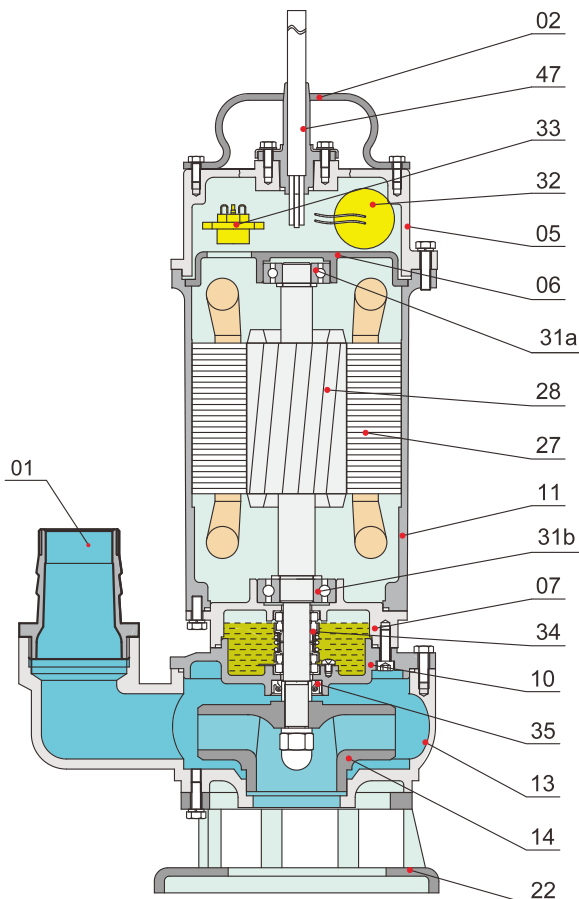
**0.75~1.5kW 2P**

50Hz : 2850rpm

60Hz : 3450rpm

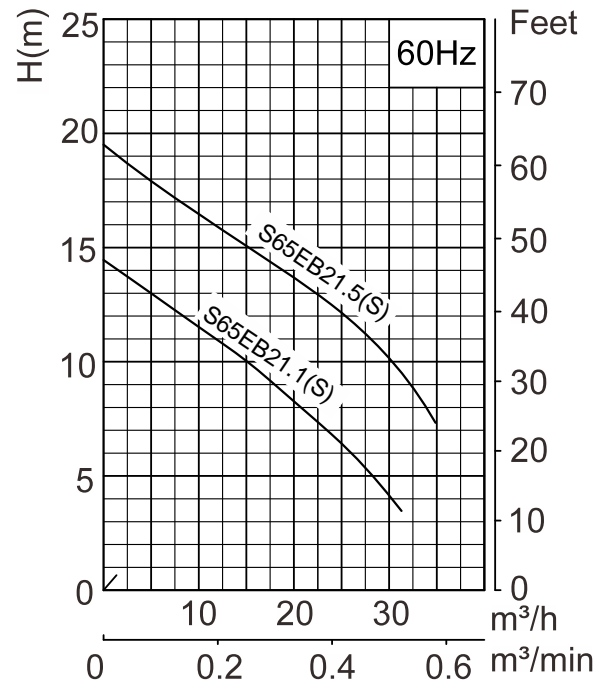
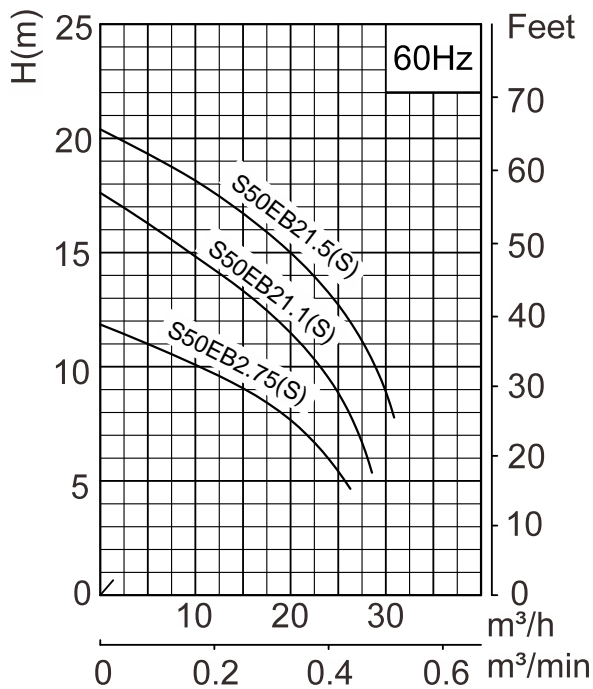
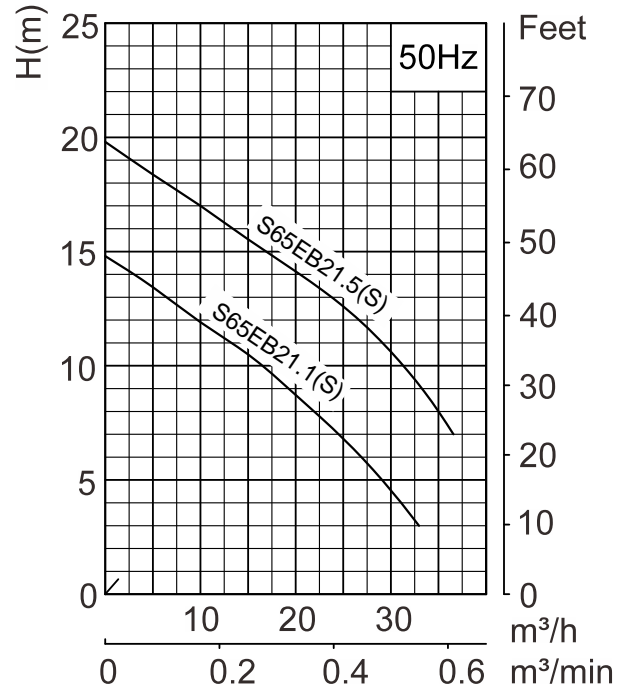
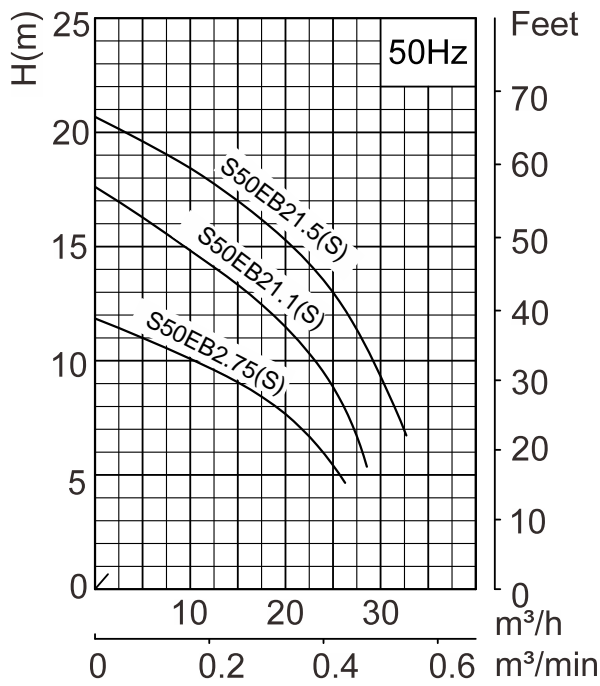
## Specification

- Insulation class : B
- Protection class : IP68
- Water temperature : up to 40°C
- PH : 6 to 10
- Density of liquid : 1.3g/cm<sup>3</sup>
- Power supply : three phase 380V ±10%, 50Hz  
three phase 380V ±10%, 60Hz  
single phase 220V ±10%, 50Hz  
single phase 220V ±10%, 60Hz
- Motor protection : built in
- Capacity : up to 37m<sup>3</sup>/h
- Head : up to 21m
- Maximum immersion depth : 10m
- Cable length : 8m



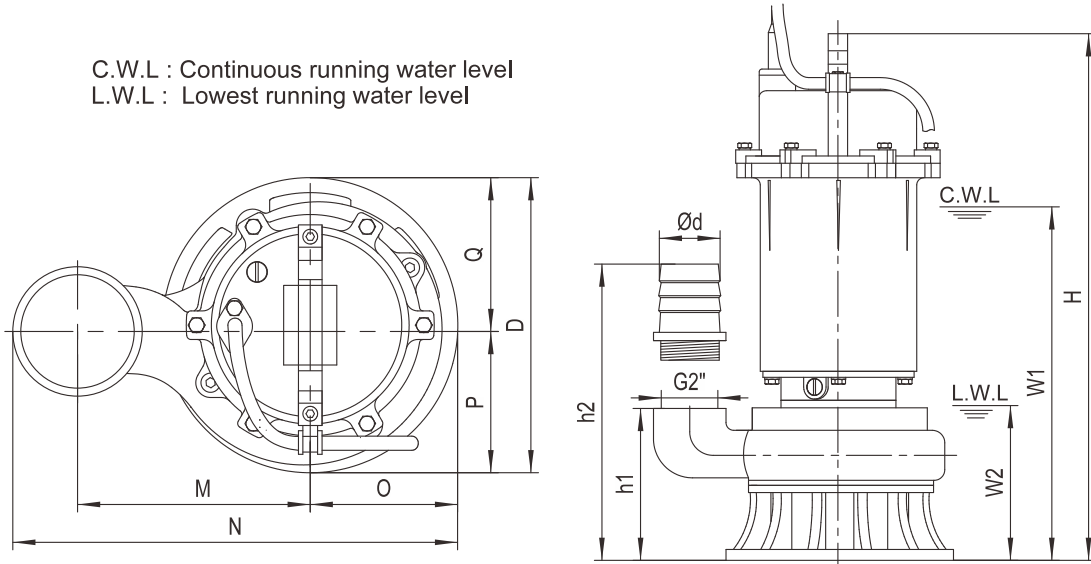
## Materials of construction

Item No.	Part name	Material
01	Hose coupling	Cast iron
02	Handle	Steel
05	Upper cover	Cast iron
06	Up-Bearing house	Cast iron
07	Bearing house	Cast iron
10	Seal bracket	Cast iron
11	Motor body	Cast iron
13	Pump body	Cast iron
14	Impeller	Cast iron
22	Seat assembly	Cast iron
27	Stator	
28	Rotor	Shaft : AISI304SS
31a	Bearing	Ball bearing
31b	Bearing	Ball bearing
32	Capacitor	(Single phase only)
33	Motor protector	
34	Mechanical seal	SiC-Ceramic/Carbon-Ceramic
35	Oil seal	
47	Cable	



Model	Voltage	Current	Motor power		Outlet		Rated capacity	Rated head	Max capacity	Max Head	Impeller Passage	Cable
			kW	HP	in	mm						
S50EB2.75	380	2	0.75	1	2	50	10	10	26	12	25	4G1.0
S50EB2.75S	220	5.2	0.75	1	2	50	10	10	26	12	25	3G1.0
S50EB2.1	380	2.8	1.1	1.5	2	50	8	15	29	18	20	4G1.0
S50EB2.1S	220	7.2	1.1	1.5	2	50	8	15	29	18	20	3G1.0
S65EB2.1	380	2.8	1.1	1.5	2½	65	15	10	33	15	25	4G1.0
S65EB2.1S	220	7.2	1.1	1.5	2½	65	15	10	33	15	25	3G1.0
S50EB2.5	380	3.2	1.5	2	2	50	8	19	33	21	20	4G1.0
S50EB2.5S	220	10	1.5	2	2	50	8	19	33	21	20	3G1.5
S65EB2.5	380	3.2	1.5	2	2½	65	15	15	37	20	25	4G1.0
S65EB2.5S	220	10	1.5	2	2½	65	15	15	37	20	25	3G1.5

C.W.L : Continuous running water level  
L.W.L : Lowest running water level



### Dimensions table

Model	Ød	h1	h2	W1	W2	H	O	P	Q	D	M	N	N.W	G.W	Packing dimension
													kg	kg	
S50EB2.75	50	125	190	300	120	445	90	95	85	180	115	242	18.5	20	470×245×240
S50EB2.75S	50	125	190	315	120	445	90	95	85	180	115	242	19.5	21	470×245×240
S50EB21.1	50	150	215	325	140	465	85	90	85	175	130	253	22	23.5	490×255×240
S50EB21.1S	50	150	215	345	140	485	85	90	85	175	130	253	23	24.5	515×255×240
S65EB21.1	65	150	220	325	140	465	85	90	85	175	130	253	22	23.5	490×255×240
S65EB21.1S	65	150	220	345	140	485	85	90	85	175	130	253	23	24.5	515×255×240
S50EB21.5	50	150	215	345	140	485	85	90	85	175	130	253	23.5	25	510×255×240
S50EB21.5S	50	150	215	360	140	500	85	90	85	175	130	253	26	27.5	520×255×240
S65EB21.5	65	150	220	345	140	485	85	90	85	175	130	253	23.5	25	510×255×240
S65EB21.5S	65	150	220	360	140	500	85	90	85	175	130	253	26	27.5	520×255×240

**0.75~1.5kW 2P**  
**TYPE A**  
50Hz : 2850rpm  
60Hz : 3450rpm

## Specification

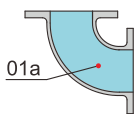
- Insulation class : B
- Protection class : IP68
- Water temperature : up to 40°C
- PH : 6 to 10
- Density of liquid : 1.3g/cm<sup>3</sup>
- Power supply : three phase 380V ±10%, 50Hz  
three phase 380V ±10%, 60Hz  
single phase 220V ±10%, 50Hz  
single phase 220V ±10%, 60Hz
- Motor protection : built in
- Capacity : up to 37m<sup>3</sup>/h
- Head : up to 21m
- Maximum immersion depth : 10m
- Cable length : 8m



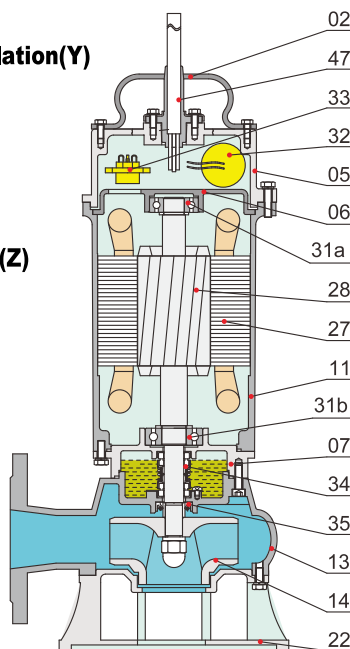
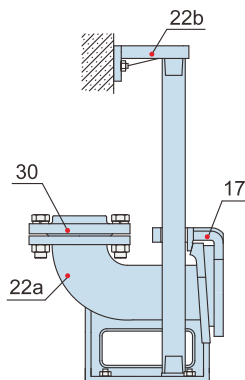
### Movable Soft Pipe Installation (R)



### Movable Hard Pipe Installation(Y)

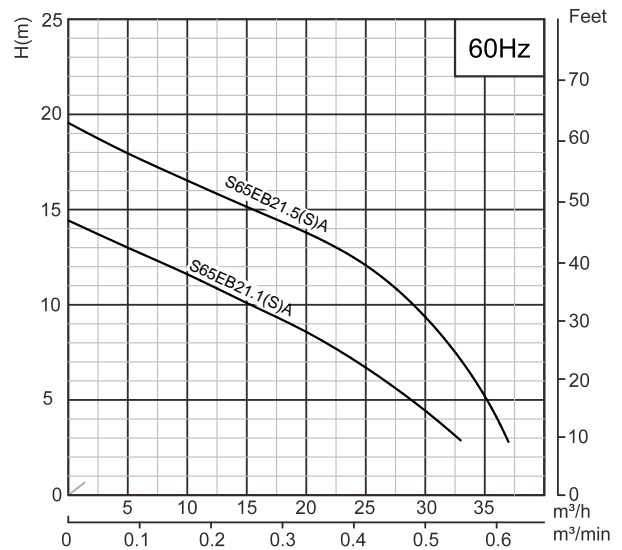
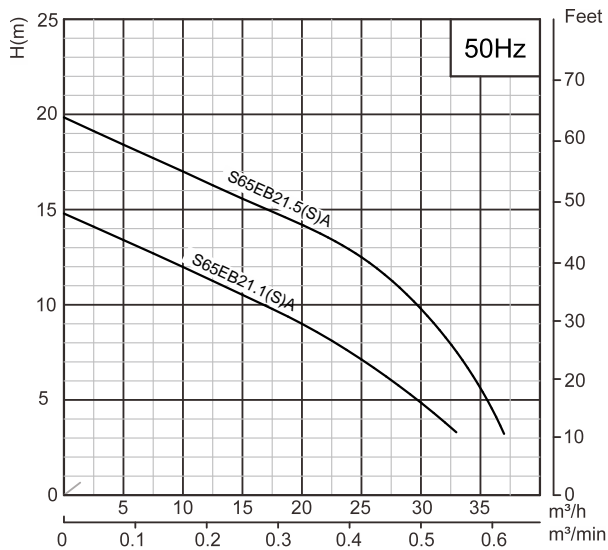
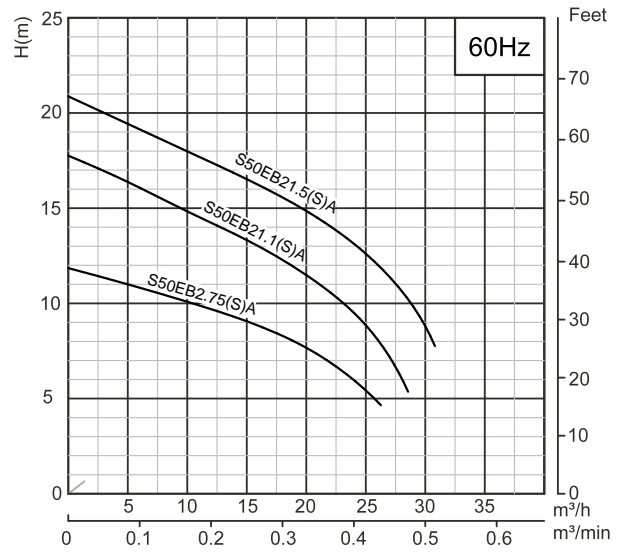
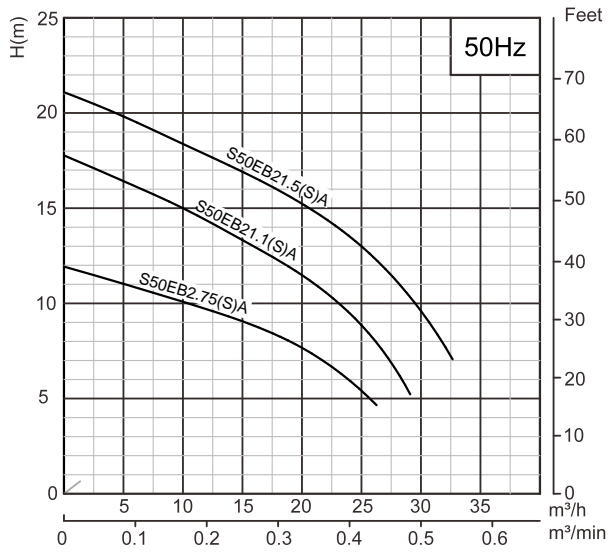


### Auto-coupled Installation (Z)



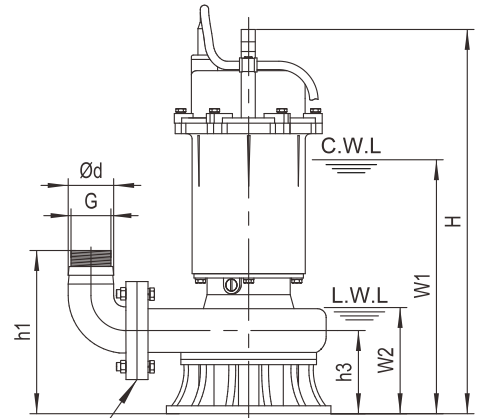
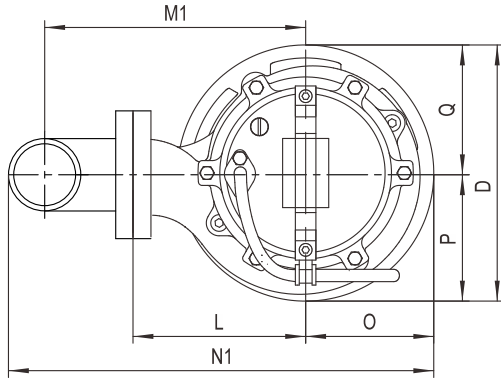
## Materials of construction

Item No.	Part name	Material
01	Hose coupling	Cast iron
01a	Hose coupling	Cast iron
02	Handle	Steel
05	Upper cover	Cast iron
06	Up-Bearing house	Cast iron
07	Bearing house	Cast iron
11	Motor body	Cast iron
13	Pump body	Cast iron
14	Impeller	Cast iron
17	Coupling adapter	Cast iron
22	Seat assembly	Cast iron
22a	Coupling seat	Cast iron
22b	Upper guide support	Cast iron
27	Stator	
28	Rotor	Shaft : AISI304SS
30	Flange	Cast iron
31a	Bearing	Ball bearing
31b	Bearing	Ball bearing
32	Capacitor	(Single phase only)
33	Motor protector	
34	Mechanical seal	SiC-Ceramic/Carbon-Ceramic
35	Oil seal	
47	Cable	

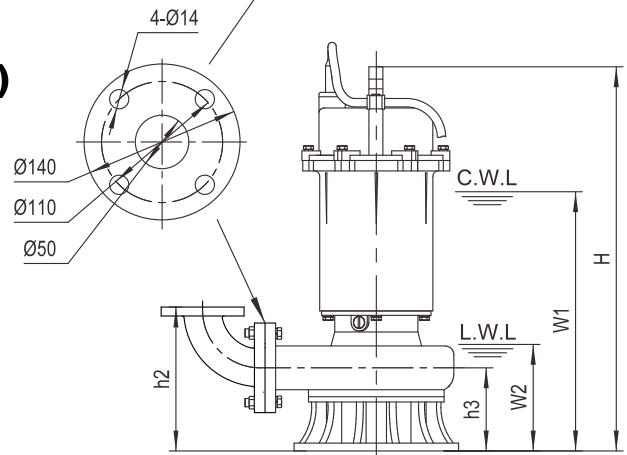
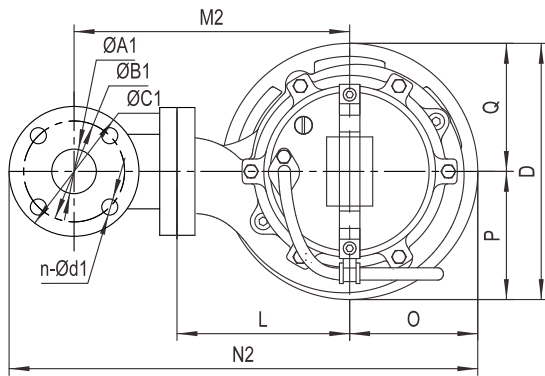


Model 50Hz/60Hz	Voltage	Current	Motor power		Outlet		Rated capacity	Rated head	Max capacity	Max Head	Impeller Passage	Cable
	V	A	kW	HP	in	mm	m³/h	m	m³/h	m	mm	mm²
S50EB2.75A	380	2	0.75	1	2	50	10	10	26	12	25	4G1.0
S50EB2.75SA	220	5.2	0.75	1	2	50	10	10	26	12	25	3G1.0
S50EB2.1A	380	2.8	1.1	1.5	2	50	8	15	29	18	20	4G1.0
S50EB2.1SA	220	7.2	1.1	1.5	2	50	8	15	29	18	20	3G1.0
S65EB2.1A	380	2.8	1.1	1.5	2½	65	15	10	33	15	25	4G1.0
S65EB2.1SA	220	7.2	1.1	1.5	2½	65	15	10	33	15	25	3G1.0
S50EB2.5A	380	3.2	1.5	2	2	50	8	19	33	21	20	4G1.0
S50EB2.5SA	220	10	1.5	2	2	50	8	19	33	21	20	3G1.5
S65EB2.5A	380	3.2	1.5	2	2½	65	15	15	37	20	25	4G1.0
S65EB2.5SA	220	10	1.5	2	2½	65	15	15	37	20	25	3G1.5

## Movable Soft Pipe Installation (R)



## Movable Hard Pipe Installation (Y)



C.W.L : Continuous running water level  
L.W.L : Lowest running water level

## Dimensions table

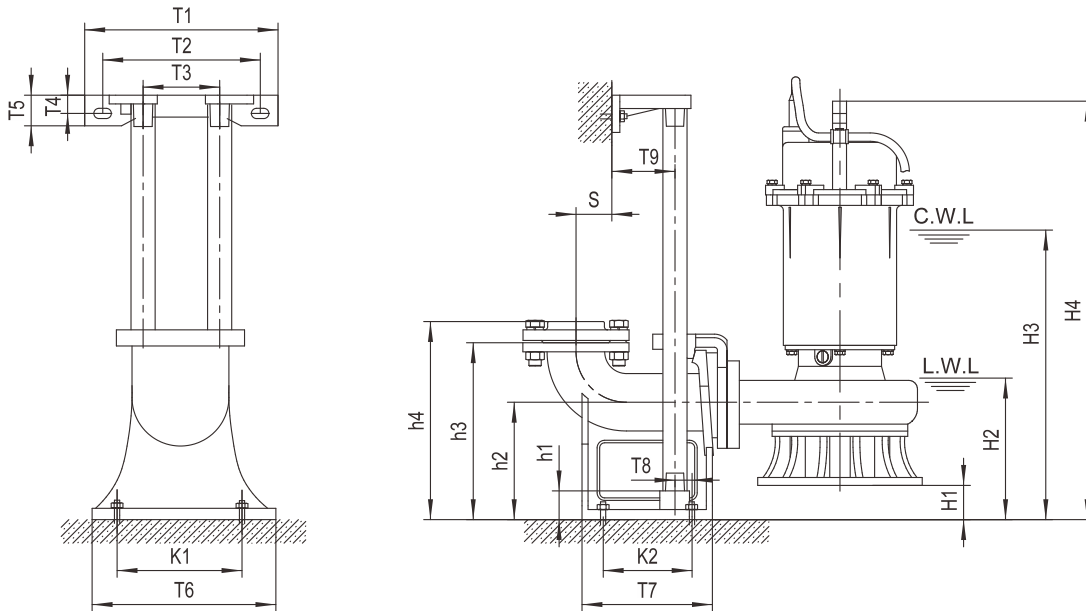
Model	Ød	G	ØA1	ØB1	ØC1	n-Ød1	h1	h2	h3	W1	W2	H	O	P	Q	L	D	M1	M2	N1	N2
S50EB2.75A	50	1 1/2"	50	110	140	4-Ø14	200	195	95	300	120	450	94	96	94	130	190	195	225	315	388
S50EB2.75SA	50	1 1/2"	50	110	140	4-Ø14	200	195	95	315	120	450	94	96	94	130	190	195	225	315	388
S50EB21.1A	50	1 1/2"	50	110	140	4-Ø14	195	190	90	325	120	460	94	98	94	135	192	200	230	320	395
S50EB21.1SA	50	1 1/2"	50	110	140	4-Ø14	195	190	90	345	120	480	94	98	94	135	192	200	230	320	395
S65EB21.1A	65	2"	65	130	160	4-Ø14	210	215	90	325	120	460	94	98	94	135	192	200	245	327	420
S65EB21.1SA	65	2"	65	130	160	4-Ø14	210	215	90	345	120	480	94	98	94	135	192	200	245	327	420
S50EB21.5A	50	1 1/2"	50	110	140	4-Ø14	195	190	90	345	120	480	94	98	94	135	192	200	230	320	395
S50EB21.5SA	50	1 1/2"	50	110	140	4-Ø14	195	190	90	360	120	495	94	98	94	135	192	200	230	320	395
S65EB21.5A	65	2"	65	130	160	4-Ø14	210	215	90	345	120	480	94	98	94	135	192	200	245	327	420
S65EB21.5SA	65	2"	65	130	160	4-Ø14	210	215	90	360	120	495	94	98	94	135	192	200	245	327	420

## Weights & Packing dimensions

Model	R			Y		
	N.W	G.W	Packing dimension	N.W	G.W	Packing dimension
	kg	kg	mm	kg	kg	mm
S50EB2.75A	22	23.5	490×225×240	24	25.5	490×225×250
S50EB2.75SA	23	24.5	490×225×240	25	26.5	490×225×250
S50EB21.1A	24	25.5	490×225×240	26	27.5	490×225×250
S50EB21.1SA	25.5	27	515×225×240	26.5	29	515×225×250
S65EB21.1A	24	25.5	490×225×240	28	29.5	490×225×250

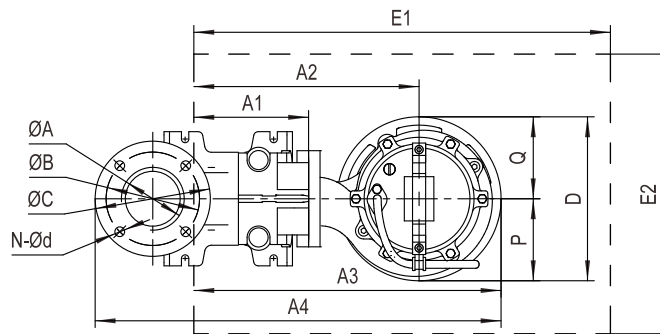
Model	R			Y		
	N.W	G.W	Packing dimension	N.W	G.W	Packing dimension
	kg	kg	mm	kg	kg	mm
S65EB21.1SA	25.5	27	515×225×240	29.5	31	515×225×250
S50EB21.5A	26.5	28	510×225×240	28.5	30	510×225×250
S50EB21.5SA	29	30.5	520×225×240	31	32.5	520×225×250
S65EB21.5A	25.5	27	510×225×240	27.5	29	510×225×250
S65EB21.5SA	28.5	30	520×225×240	32.5	34	520×225×250

## Auto-Coupled Installation (Z)



C.W.L : Continuous running water level  
L.W.L : Lowest running water level

The coupling and pump will be packed individually, packing dimension and weight in table only refer to the pump, please refer to P48 to check coupling's packing dimension and weight.



## Dimensions table

Auto coupling	ØA	ØB	ØC	N-Ød	T1	T2	T3	T4	T5	T6	T7	T8	T9	K1	K2	S	h1	h2	h3	h4
50-50(PN6)	Ø50 / G2"	110	140	4-Ø14	265	215	105	25	42	200	215	15	67	165	135	63	25	160	250	280

## Dimensions table

Model	Auto coupling	H1	H2	H3	H4	A1	A2	A3	A4	P	Q	D	E1×E2	Pump weight & packing dimension		
														N.W	G.W	Packing dimension
S50EB2.75A	50-50(PN6)	65	185	365	515	155	285	378	510	96	94	190	650×550	20	21.5	490×225×240
S50EB2.75SA	50-50(PN6)	65	185	380	515	155	285	378	510	96	94	190	650×550	21	22.5	490×225×240
S50EB21.1A	50-50(PN6)	70	190	395	530	155	290	383	515	98	94	192	650×550	22	23.5	490×225×240
S50EB21.1SA	50-50(PN6)	70	190	415	550	155	290	383	515	98	94	192	650×550	23.5	25	515×225×240
S65EB21.1A	50-50(PN6)	70	190	395	530	155	290	383	515	98	94	192	650×550	21	22.5	490×225×240
S65EB21.1SA	50-50(PN6)	70	190	415	550	155	290	383	515	98	94	192	650×550	22.5	24	515×225×240
S50EB21.5A	50-50(PN6)	70	190	415	550	155	290	383	515	98	94	192	650×550	24.5	26	510×225×240
S50EB21.5SA	50-50(PN6)	70	190	430	565	155	290	383	515	98	94	192	650×550	27	28.5	520×225×240
S65EB21.5A	50-50(PN6)	70	190	415	550	155	290	383	515	98	94	192	650×550	22.5	24	510×225×240
S65EB21.5SA	50-50(PN6)	70	190	430	565	155	290	383	515	98	94	192	650×550	25.5	27	520×225×240

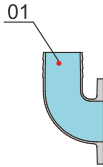
**2.2~5.5kW 2P**  
50Hz : 2850rpm  
60Hz : 3450rpm

## Specification

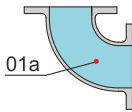
- Insulation class : B
- Protection class : IP68
- Water temperature : up to 40°C
- PH : 6 to 10
- Density of liquid : 1.3g/cm<sup>3</sup>
- Power supply : three phase 380V ±10%, 50Hz  
three phase 380V ±10%, 60Hz
- Motor protection : built in
- Capacity : up to 110m<sup>3</sup>/h
- Head : up to 42m
- Maximum immersion depth : 10m
- Cable length : 8m



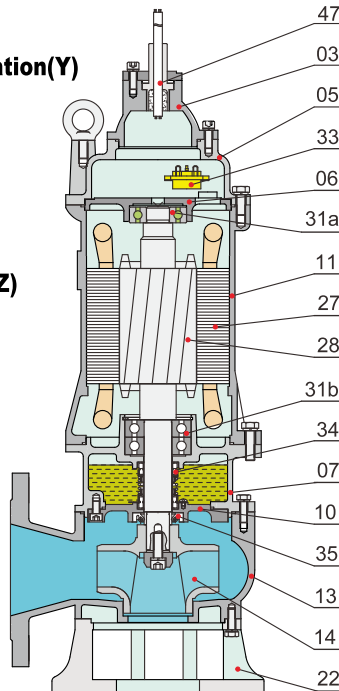
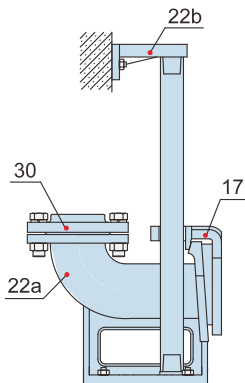
### Movable Soft Pipe Installation (R)



### Movable Hard Pipe Installation (Y)



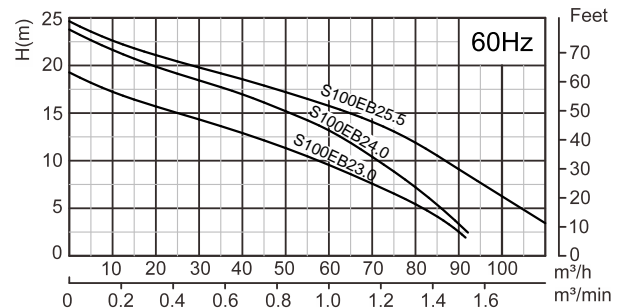
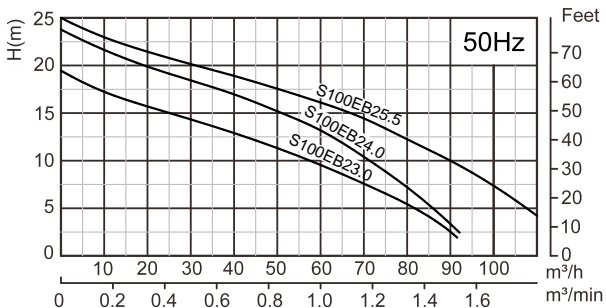
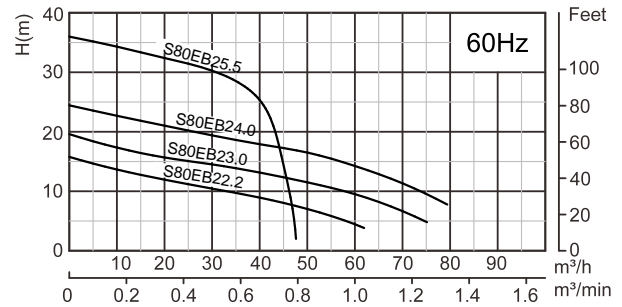
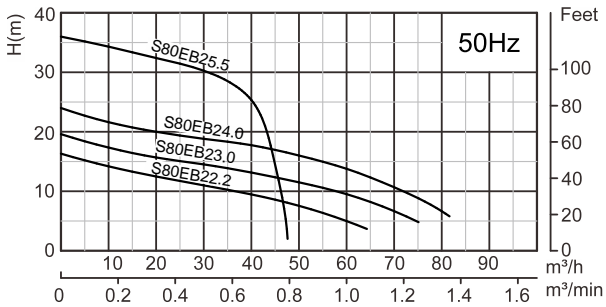
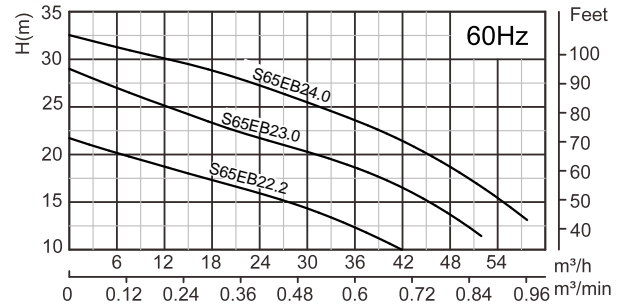
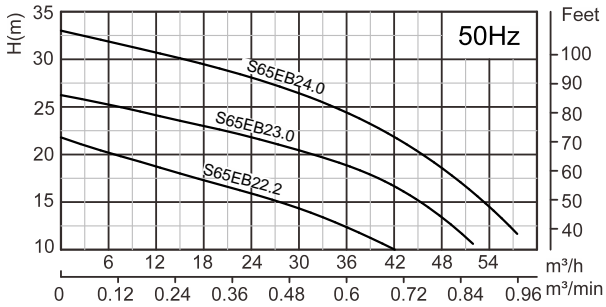
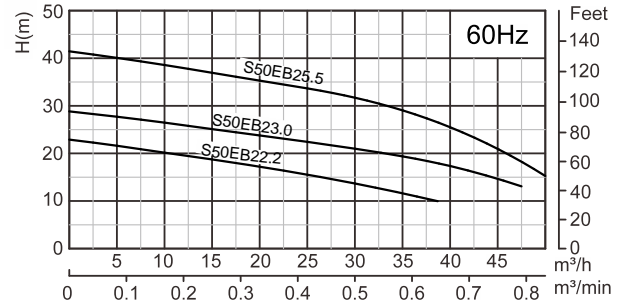
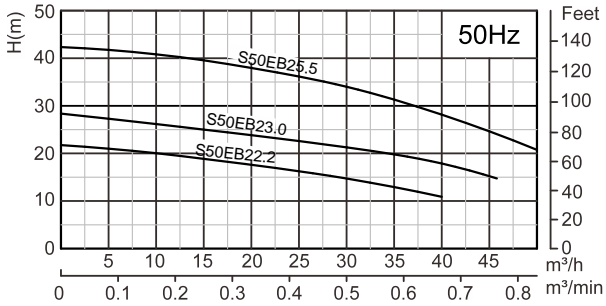
### Auto-coupled Installation (Z)



## Materials of construction

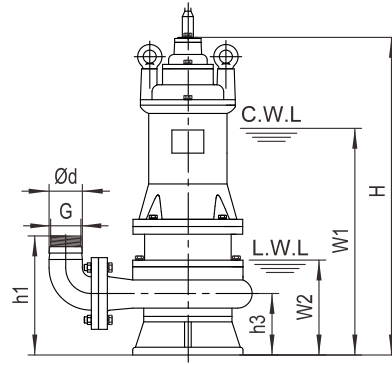
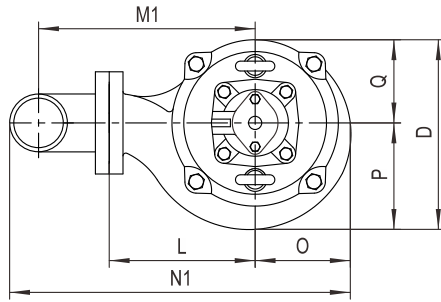
Item No.	Part name	Material
01	Hose coupling	Cast iron
01a	Hose coupling	Cast iron
03	Terminal box	Cast iron
05	Upper cover	Cast iron
06	Up-Bearing house	Cast iron
07	Bearing house	Cast iron
10	Seal bracket	Cast iron
11	Motor body	Cast iron
13	Pump body	Cast iron
14	Impeller	Cast iron
17	Coupling adapter	Cast iron
22	Seat assembly	Cast iron
22a	Coupling seat	Cast iron
22b	Upper guide support	Cast iron
27	Stator	Cast iron
28	Rotor	Shaft : AISI304SS
30	Flange	Cast iron
31a	Bearing	Ball bearing
31b	Bearing	Ball bearing
33	Motor protector	
34	Mechanical seal	Sic-Sic/Carbon-Ceramic
35	Oil seal	
47	Cable	



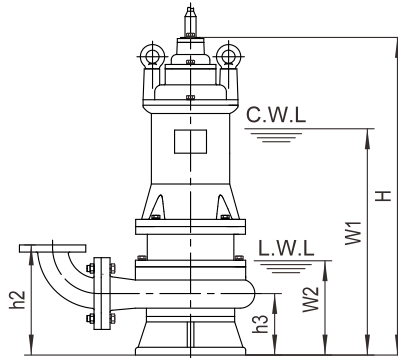
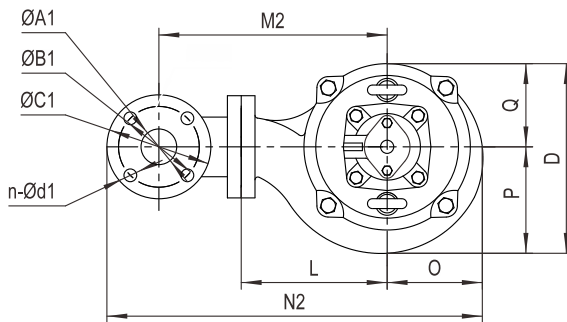


Model	Voltage	Current	Motor power		Outlet		Rated capacity	Rated head	Max capacity	Max Head	Impeller Passage	Cable
	50Hz/60Hz	V	A	kW	HP	in	mm	m³/h	m	m³/h	m	mm
S50EB22.2	380	5	2.2	3	2	50	15	19	40	22	20	4G1.0
S65EB22.2	380	5	2.2	3	2½	65	25	16	42	22	20	4G1.0
S80EB22.2	380	5	2.2	3	3	80	40	9	64	16	30	4G1.0
S50EB23.0	380	6.5	3	4	2	50	15	25	46	28	20	4G1.5
S65EB23.0	380	6.5	3	4	2½	65	25	22	52	26/29	20	4G1.5
S80EB23.0	380	6.5	3	4	3	80	40	13	75	20	30	4G1.5
S100EB23.0	380	6.5	3	4	4	100	60	9	92	19	30	4G1.5
S65EB24.0	380	8.9	4	5.5	2½	65	25	28/27	58	33	20	4G1.5
S80EB24.0	380	8.9	4	5.5	3	80	40	18	81	24	30	4G1.5
S100EB24.0	380	8.9	4	5.5	4	100	60	13	93	24	30	4G1.5
S50EB25.5	380	11.7	5.5	7.5	2	50	15	40/38	52	42	20	4G2.5
S80EB25.5	380	11.7	5.5	7.5	3	80	30	30	47	36	25	4G2.5
S100EB25.5	380	11.7	5.5	7.5	4	100	65	15	110	25	30	4G2.5

## Movable Soft Pipe Installation (R)



## Movable Hard Pipe Installation(Y)



C.W.L : Continuous running water level  
L.W.L : Lowest running water level

## Dimensions table

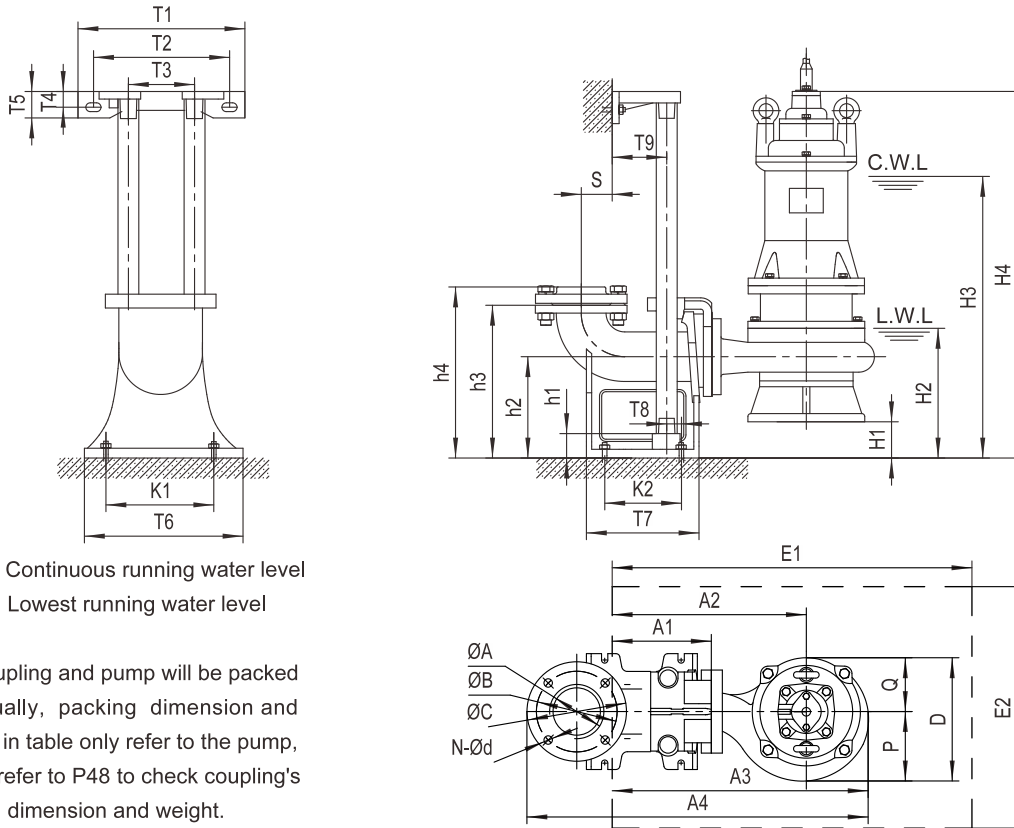
Model	Ød	G	ØA1	ØB1	ØC1	n-Ød1	h1	h2	h3	W1	W2	H	O	P	Q	L	D	M1	M2	N1	N2
S50EB22.2	50	G1½"	50	110	140	4-Ø14	210	205	105	410	145	575	107	113	100	165	213	230	260	363	438
S65EB22.2	65	G2"	65	130	160	4-Ø14	225	225	105	410	145	575	107	113	100	165	213	235	275	375	463
S80EB22.2	80	G2½"	80	150	190	4-Ø18	255	250	110	415	150	580	105	111	100	160	211	252	302	395	502
S50EB23.0	50	G1½"	50	110	140	4-Ø14	210	205	105	425	145	510	107	113	100	165	213	230	260	363	438
S65EB23.0	65	G2"	65	130	160	4-Ø14	225	225	105	425	145	610	107	113	100	165	213	235	275	375	463
S80EB23.0	80	G2½"	80	150	190	4-Ø18	270	265	125	450	170	630	107	115	100	153	215	245	295	390	497
S100EB23.0	100	-	100	170	210	4-Ø18	295	275	125	450	170	630	107	115	100	165	215	267	315	425	528
S65EB24.0	65	G2"	65	130	160	4-Ø14	240	240	120	455	160	650	115	115	115	180	230	250	290	397	486
S80EB24.0	80	G2½"	80	150	190	4-Ø18	280	275	135	480	185	675	115	115	115	165	230	257	307	410	517
S100EB24.0	100	-	100	170	210	4-Ø18	305	285	135	480	185	675	115	115	115	175	230	278	327	443	547
S50EB25.5	50	G1½"	50	110	140	4-Ø14	235	230	130	475	160	675	125	130	125	175	255	240	272	390	467
S80EB25.5	80	G2½"	80	150	190	4-Ø18	275	270	130	495	175	690	125	125	125	175	250	267	317	430	537
S100EB25.5	100	-	100	170	210	4-Ø18	305	285	135	505	190	705	131	140	125	180	265	285	334	465	570

## Weights & Packing dimensions

Model	R			Y		
	N.W	G.W	Packing dimension	N.W	G.W	Packing dimension
	kg	kg	mm	kg	kg	mm
S50EB22.2	42	48	690×260×315	44	50	690×260×325
S65EB22.2	44	50	690×260×315	48	54	690×260×325
S80EB22.2	47	52	710×260×315	51	56	710×260×335
S50EB23.0	50	55	710×260×315	52	57	710×260×325
S65EB23.0	51	57	710×260×315	55	61	710×260×325
S80EB23.0	55	60	750×240×325	59	64	750×240×345
S100EB23.0	57	63	750×260×345	63	69	750×260×375

Model	R			Y		
	N.W	G.W	Packing dimension	N.W	G.W	Packing dimension
	kg	kg	mm	kg	kg	mm
S65EB24.0	61	69	780×260×335	65	73	780×260×345
S80EB24.0	65	71	800×260×325	69	75	800×260×345
S100EB24.0	67	73	800×260×355	73	79	800×260×385
S50EB25.5	74	81	790×290×355	76	83	790×290×365
S80EB25.5	77	83	800×290×335	81	87	800×290×355
S100EB25.5	81	89	810×300×375	87	95	810×300×405

## Auto-Coupled Installation (Z)



C.W.L : Continuous running water level  
L.W.L : Lowest running water level

The coupling and pump will be packed individually, packing dimension and weight in table only refer to the pump, please refer to P48 to check coupling's packing dimension and weight.

## Dimensions table

Auto coupling	ØA	ØB	ØC	N-Ød	T1	T2	T3	T4	T5	T6	T7	T8	T9	K1	K2	S	h1	h2	h3	h4
50-50(PN6)	Ø50 / G2"	110	140	4-Ø14	265	215	105	25	42	200	215	15	67	165	135	63	25	160	250	280
65-65(PN6)	Ø65 / G2½"	130	160	4-Ø14	280	230	125	30	50	230	235	20	70	190	155	90	25	165	265	295
80-80(PN6)	Ø80 / G3"	150	190	4-Ø18	315	265	145	27	50	255	225	30	78	215	155	77	25	190	305	335
100-100(PN6)	Ø100 / G4"	170	210	4-Ø18	365	305	170	32	55	295	260	35	95	265	175	100	25	230	350	380

## Dimensions table

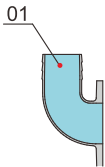
Model	Auto coupling	H1	H2	H3	H4	A1	A2	A3	A4	P	Q	D	E1×E2	Pump weight & packing dimension		
														N.W	G.W	Packing dimension
S50EB22.2	50-50(PN6)	55	200	465	630	155	319	426	559	113	100	213	650×550	40	46	690×260×315
S65EB22.2	65-65(PN6)	60	205	470	635	155	318	425	596	113	100	213	650×550	42	48	690×260×315
S80EB22.2	80-80(PN6)	78	230	495	660	176	336	441	613	111	100	211	650×550	42	47	710×260×315
S50EB23.0	50-50(PN6)	55	200	480	665	155	319	426	559	113	100	213	650×550	48	53	710×260×315
S65EB23.0	65-65(PN6)	60	205	485	670	155	318	425	596	113	100	213	650×550	48	54	710×260×315
S80EB23.0	80-80(PN6)	68	235	515	695	176	329	436	608	115	100	215	650×550	50	55	750×240×325
S100EB23.0	100-100(PN6)	108	275	555	735	200	364	471	677	115	100	215	700×550	51	57	750×260×345
S65EB24.0	65-65(PN6)	45	205	500	695	155	333	448	619	115	115	230	650×550	58	66	780×260×335
S80EB24.0	80-80(PN6)	57	240	535	730	176	341	456	628	115	115	230	650×550	60	66	800×260×325
S100EB24.0	100-100(PN6)	97	280	575	770	200	375	490	696	115	115	230	700×550	61	67	800×260×355
S50EB25.5	50-50(PN6)	32	190	505	705	155	330	455	588	130	125	255	650×550	72	79	790×290×355
S80EB25.5	80-80(PN6)	61	235	555	750	176	351	476	648	125	125	250	700×550	72	78	800×290×335
S100EB25.5	100-100(PN6)	95	285	600	800	200	381	512	718	140	125	265	700×550	75	83	810×300×375

**7.5~11kW 2P**  
50Hz : 2850rpm  
60Hz : 3450rpm

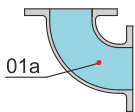
## Specification

- Insulation class : B
- Protection class : IP68
- Water temperature : up to 40°C
- PH : 6 to 10
- Density of liquid : 1.3g/cm<sup>3</sup>
- Power supply : three phase 380V ±10%, 50Hz  
three phase 380V ±10%, 60Hz
- Motor protection : built in
- Capacity : up to 200m<sup>3</sup>/h
- Head : up to 52m
- Maximum immersion depth : 20m
- Cable length : 8m

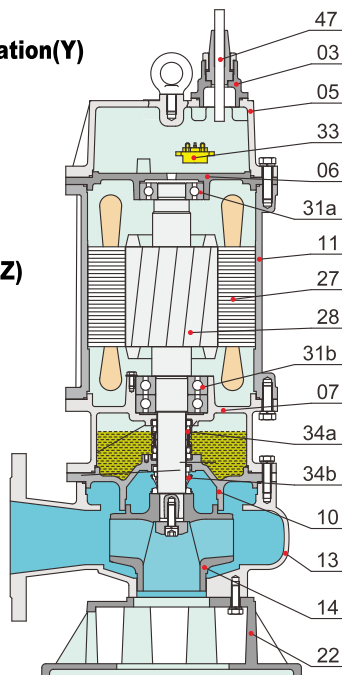
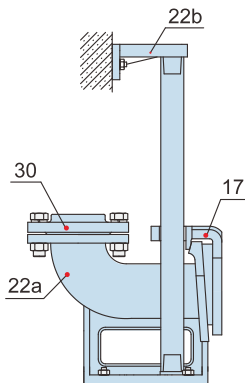
### Movable Soft Pipe Installation (R)



### Movable Hard Pipe Installation(Y)

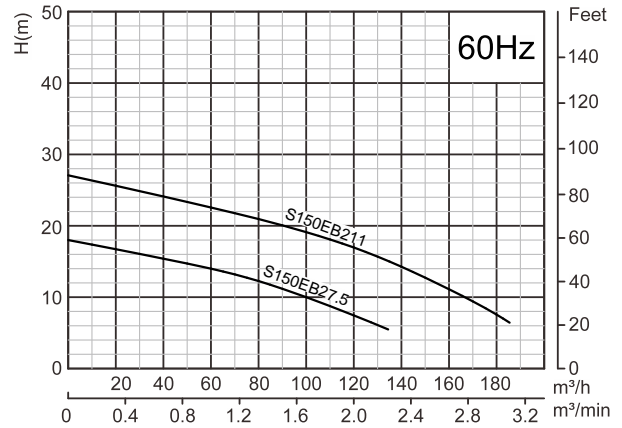
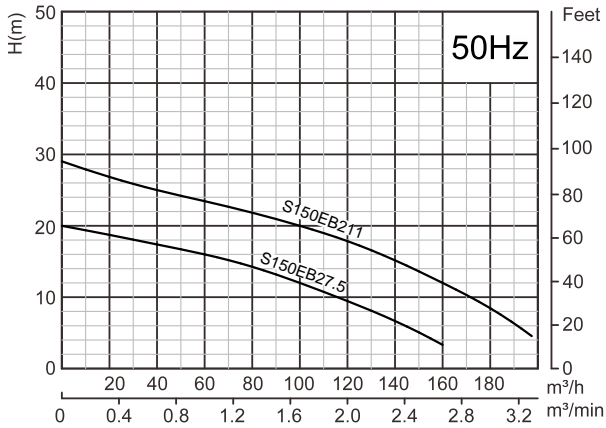
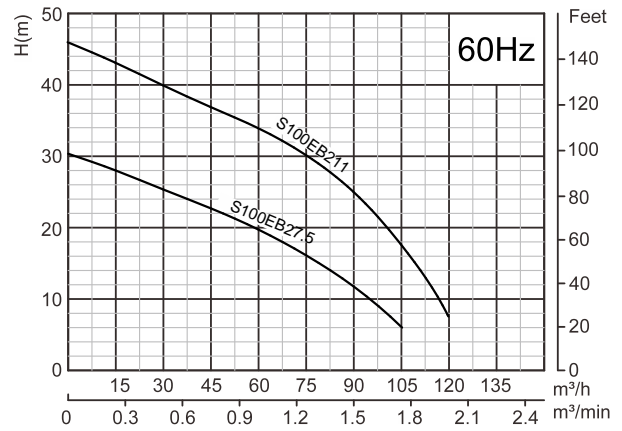
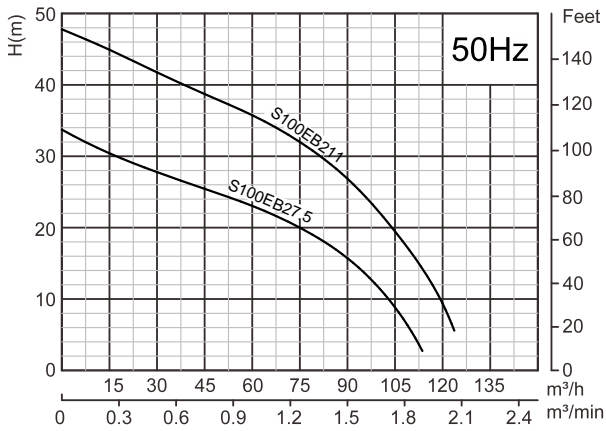
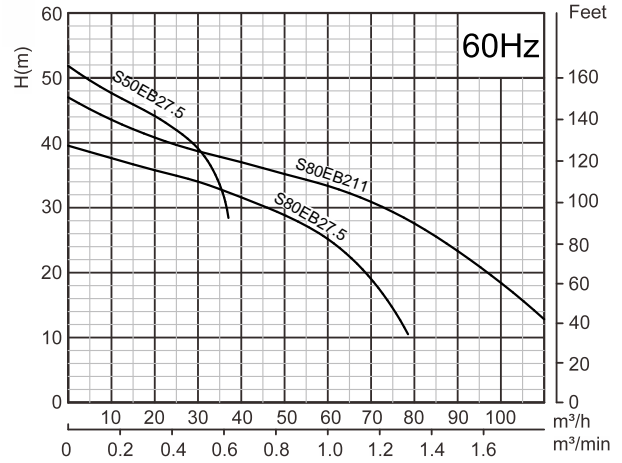
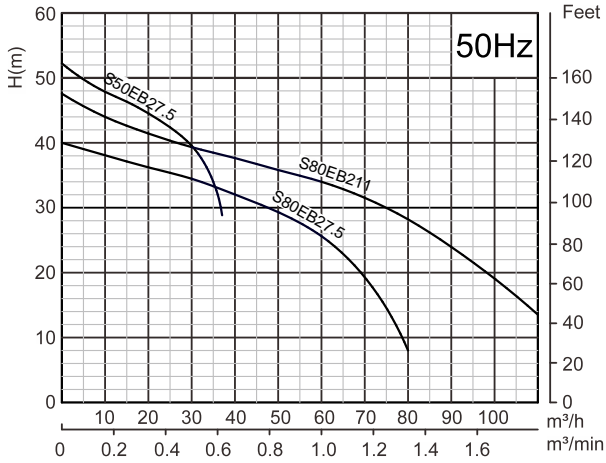


### Auto-coupled Installation (Z)



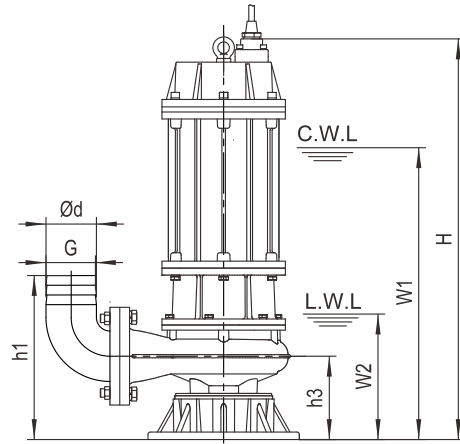
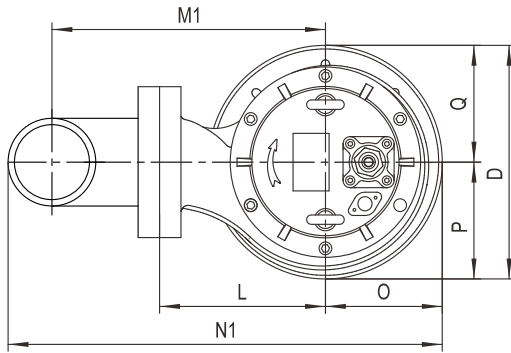
## Materials of construction

Item No.	Part name	Material
01	Hose coupling	Cast iron
01a	Hose coupling	Cast iron
03	Terminal box	Cast iron
05	Upper cover	Cast iron
06	Up-Bearing house	Cast iron
07	Bearing house	Cast iron
10	Seal bracket	Cast iron
11	Motor body	Cast iron
13	Pump body	Cast iron
14	Impeller	Ductile iron
17	Coupling adapter	Cast iron
22	Seat assembly	Cast iron
22a	Coupling seat	Cast iron
22b	Upper guide support	Cast iron
27	Stator	
28	Rotor	Shaft : AISI304SS
30	Flange	Cast iron
31a	Bearing	Ball bearing
31b	Bearing	Ball bearing
33	Motor protector	
34a	Mechanical seal	Sic-Sic/Carbon-Ceramic
34b	Mechanical seal	Sic-Sic
47	Cable	

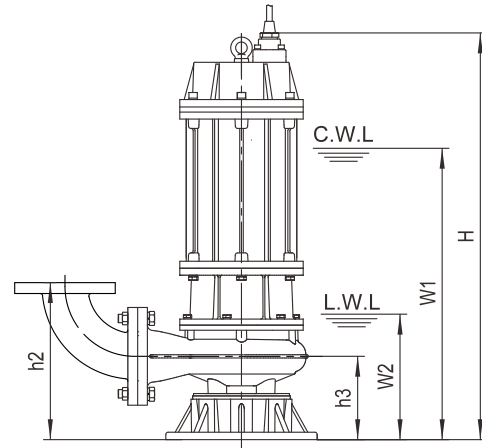
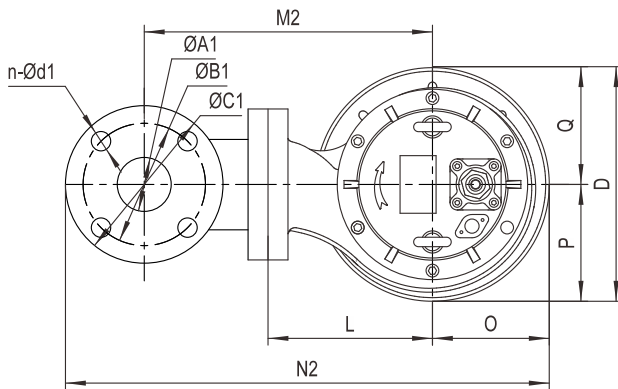


Model	Voltage	Current	Motor power		Outlet		Rated capacity	Rated head	Max capacity	Max Head	Impeller Passage	Cable
			kW	HP	in	mm						
50Hz/60Hz	V	A					m³/h	m	m³/h	m	mm	mm²
S50EB27.5	380	15.7	7.5	10	2	50	20	45	37	52	25	4G4.0
S80EB27.5	380	15.7	7.5	10	3	80	30	35	80	40	30	4G4.0
S100EB27.5	380	15.7	7.5	10	4	100	65	22/19	110	34/30	35	4G4.0
S150EB27.5	380	15.7	7.5	10	6	150	100	12/10	160/135	20/18	35	4G4.0
S80EB211	380	22	11	15	3	80	45	37	110	48	35	4G4.0
S100EB211	380	22	11	15	4	100	65	35/33	125	48/46	35	4G4.0
S150EB211	380	22	11	15	6	150	100	20/19	200/185	29/27	50	4G4.0

## Movable Soft Pipe Installation (R)



## Movable Hard Pipe Installation (Y)



C.W.L : Continuous running water level  
L.W.L : Lowest running water level

## Dimensions table

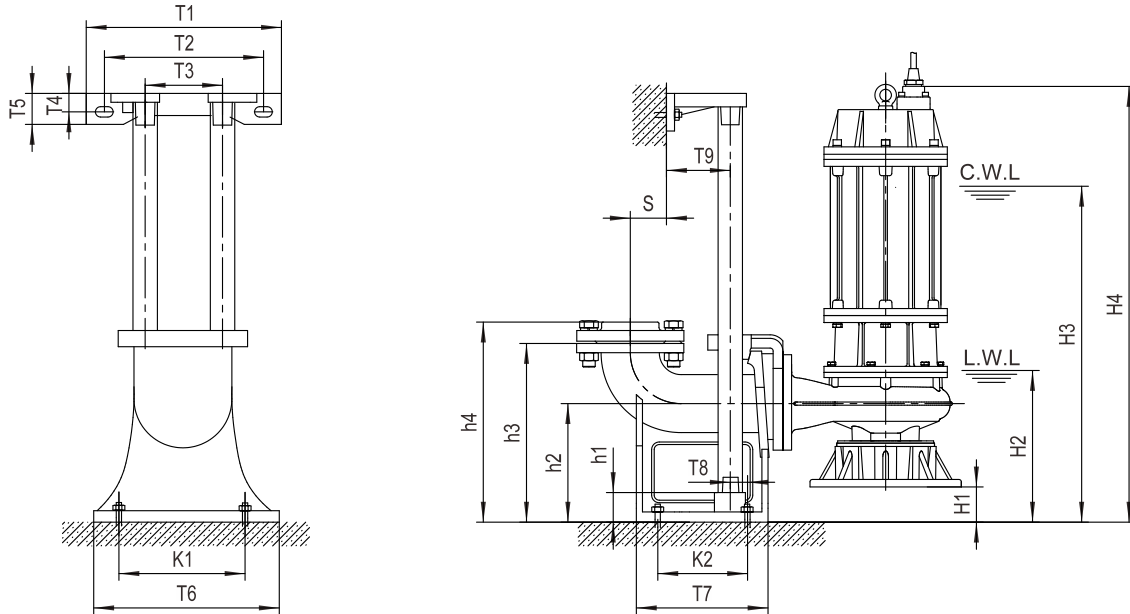
Model	Ød	G	ØA1	ØB1	ØC1	n-Ød1	h1	h2	h3	W1	W2	H	O	P	Q	L	D	M1	M2	N1	N2
S50EB27.5	50	G1½"	50	110	140	4-Ø14	265	260	160	540	210	760	162	162	162	200	324	267	298	454	530
S80EB27.5	80	—	80	150	190	4-Ø18	305	300	160	540	210	760	162	162	162	200	324	292	342	491	599
S100EB27.5	100	—	100	170	210	4-Ø18	345	325	175	560	230	780	162	162	162	200	324	302	352	514	619
S150EB27.5	150	—	150	225	265	8-Ø18	405	380	180	575	245	795	162	162	162	210	324	362	412	598	706
S80EB211	80	—	80	150	190	4-Ø18	320	315	175	580	230	825	162	162	162	200	324	292	342	491	599
S100EB211	100	—	100	170	210	4-Ø18	345	325	175	580	230	825	162	162	162	200	324	302	352	514	619
S150EB211	150	—	150	225	265	8-Ø18	405	380	180	595	245	840	162	162	162	210	324	362	412	598	706

## Weights & Packing dimensions

Model	R			Y		
	N.W	G.W	Packing dimension	N.W	G.W	Packing dimension
	kg	kg	mm	kg	kg	mm
S50EB27.5	114	127	894×364×435	116	129	894×364×445
S80EB27.5	118	130	894×364×435	122	134	894×364×455
S100EB27.5	122	134	924×364×435	128	140	924×364×465
S150EB27.5	134	146	944×384×455	142	154	944×384×495

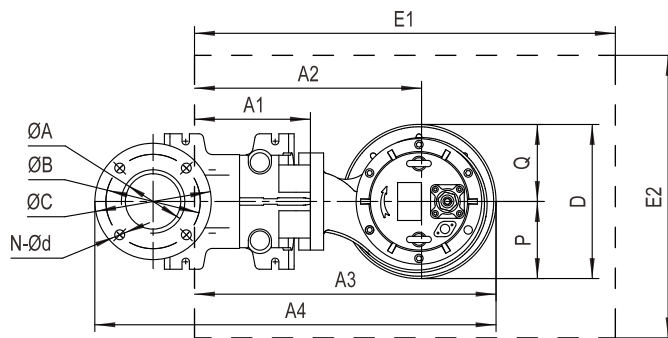
Model	R			Y		
	N.W	G.W	Packing dimension	N.W	G.W	Packing dimension
	kg	kg	mm	kg	kg	mm
S80EB211	131	143	964×364×435	135	147	964×364×455
S100EB211	133	145	964×364×435	139	151	964×364×465
S150EB211	145	157	984×384×455	153	165	984×384×495

## Auto-Coupled Installation (Z)



C.W.L : Continuous running water level  
L.W.L : Lowest running water level

The coupling and pump will be packed individually, packing dimension and weight in table only refer to the pump, please refer to P48 to check coupling's packing dimension and weight.



## Dimensions table

Auto coupling	ØA	ØB	ØC	N-Ød	T1	T2	T3	T4	T5	T6	T7	T8	T9	K1	K2	S	h1	h2	h3	h4
80-80(PN6)	Ø80 / G3"	150	190	4-Ø18	315	265	145	27	50	255	225	30	78	215	155	77	25	190	305	335
100-100(PN6)	Ø100 / G4"	170	210	4-Ø18	365	305	170	32	55	295	260	35	95	265	175	100	25	230	350	380
150-150(PN6)	Ø150	225	265	8-Ø18	400	260	280	24	48	400	410	75	95	280	300	200	390	300	480	—

## Dimensions table

Model	Auto coupling	H1	H2	H3	H4	A1	A2	A3	A4	P	Q	D	E1×E2	Pump weight & packing dimension		
														N.W	G.W	Packing dimension
S50EB27.5	—	—	—	—	—	—	—	—	—	—	—	—	—	—	—	—
S80EB27.5	80-80(PN6)	30	240	570	790	175	375	538	710	162	162	324	750×550	113	125	894×364×435
S100EB27.5	100-100(PN6)	55	285	615	835	200	400	562	768	162	162	324	750×550	116	128	924×364×435
S150EB27.5	150-150(PN6)	120	365	695	915	285	495	655	996	162	162	324	850×550	122	134	944×384×455
S80EB211	80-80(PN6)	15	245	595	840	175	375	538	710	162	162	324	750×550	126	138	964×364×435
S100EB211	100-100(PN6)	55	285	635	880	200	400	562	768	162	162	324	750×550	127	139	964×364×435
S150EB211	150-150(PN6)	120	365	715	960	285	495	655	996	162	162	324	750×550	133	145	984×384×455

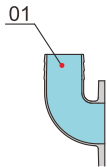
**2.2~3.7kW 4P**  
50Hz : 1450rpm  
60Hz : 1750rpm

## Specification

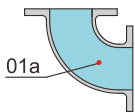
- Insulation class : B
- Protection class : IP68
- Water temperature : up to 40°C
- PH : 6 to 10
- Density of liquid : 1.3g/cm<sup>3</sup>
- Power supply : three phase 380V ±10%, 50Hz  
three phase 380V ±10%, 60Hz
- Motor protection : built in
- Capacity : up to 130m<sup>3</sup>/h
- Head : up to 17m
- Maximum immersion depth : 15 m
- Cable length : 8m



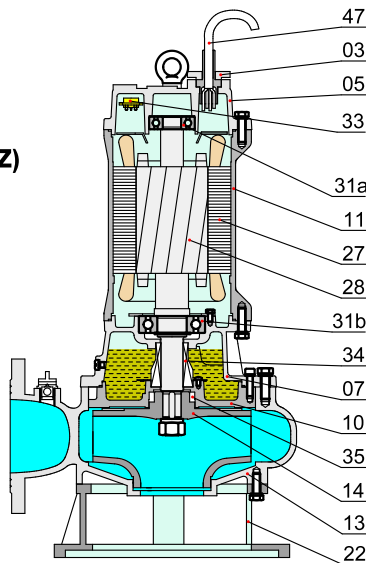
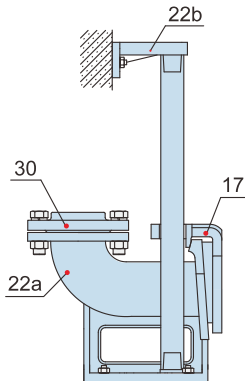
### Movable Soft Pipe Installation (R)



### Movable Hard Pipe Installation(Y)



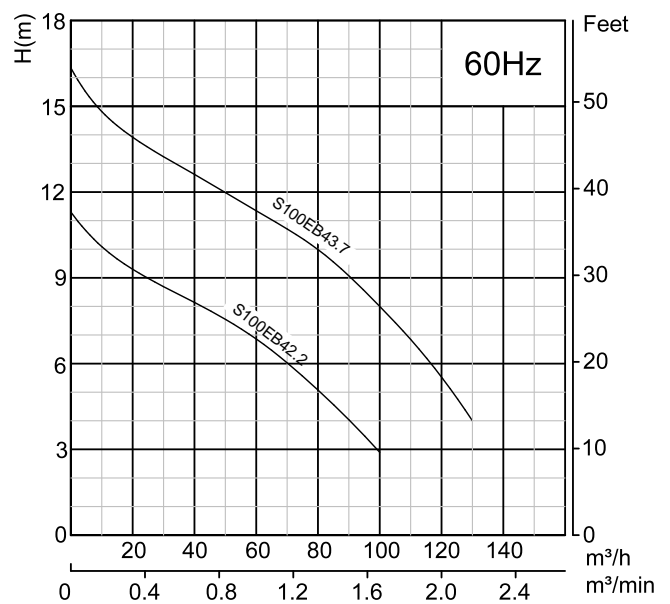
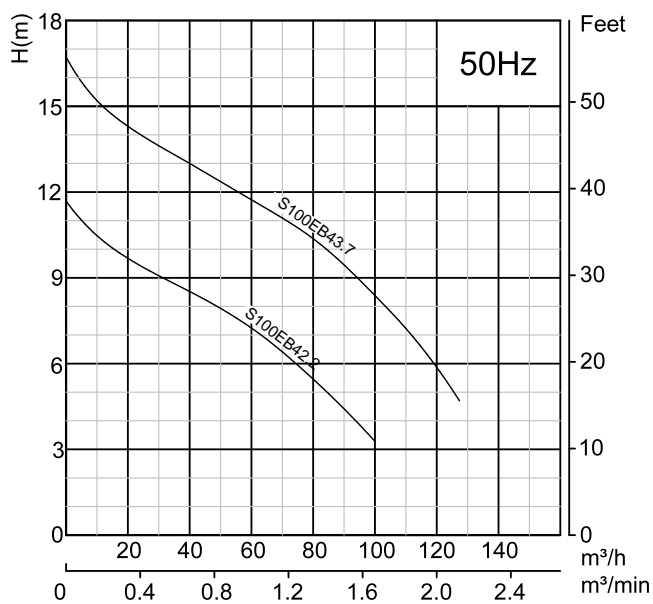
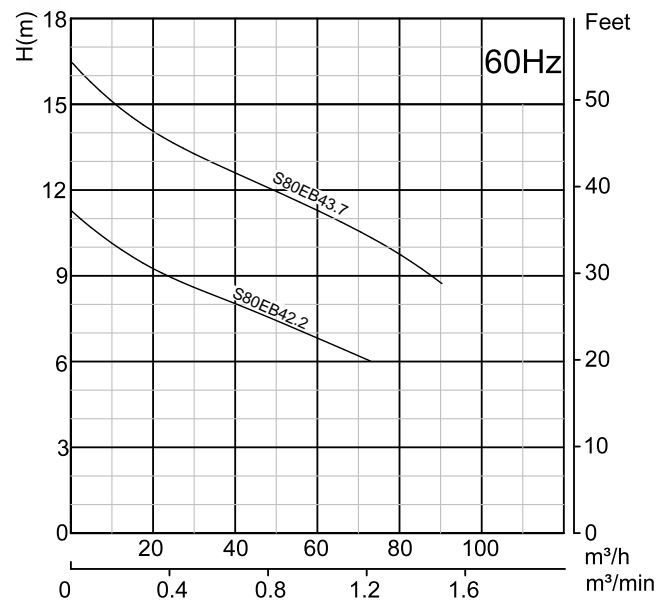
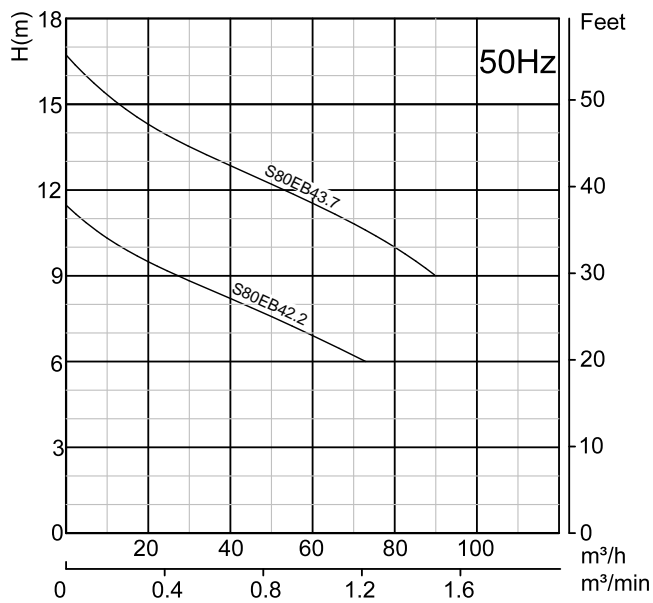
### Auto-coupled Installation (Z)



## Materials of construction

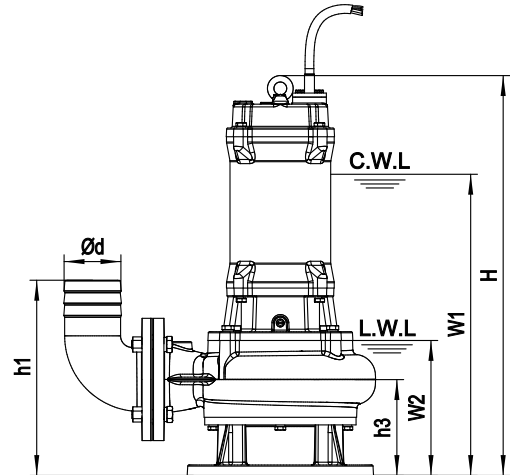
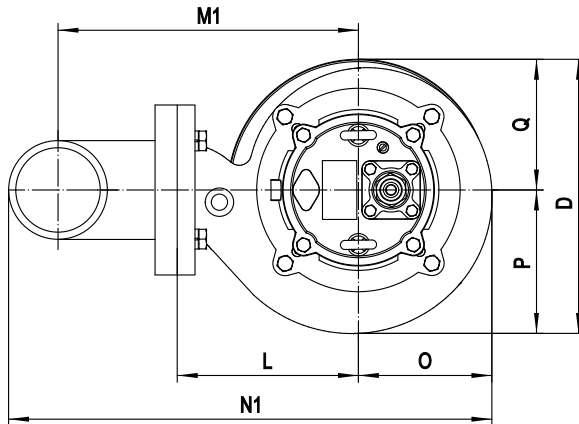
Item No.	Part name	Material
01	Hose coupling	Cast iron
01a	Hose coupling	Cast iron
03	Cable fixing plate	Cast iron
05	Upper cover	Cast iron
07	Bearing house	Cast iron
10	Seal bracket	Cast iron
11	Motor body	Cast iron
13	Pump body	Cast iron
14	Impeller	Ductile iron
17	Coupling adapter	Cast iron
22	Seat assembly	Cast iron
22a	Coupling seat	Cast iron
22b	Upper guide support	Cast iron
27	Stator	
28	Rotor	Shaft : AISI304SS
30	Flange	Cast iron
31a	Bearing	Ball bearing
31b	Bearing	Ball bearing
33	Motor protector	
34	Mechanical seal	Sic-Sic
35	Oil seal	
47	Cable	



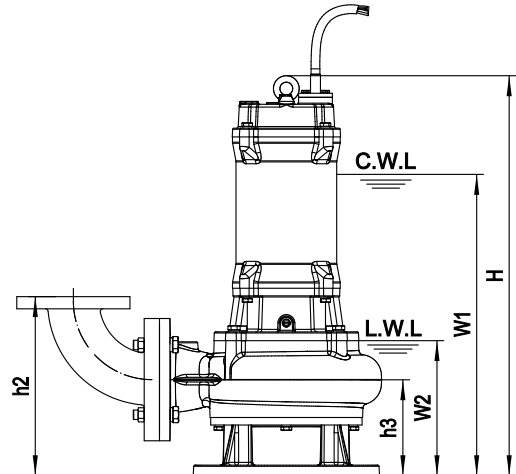
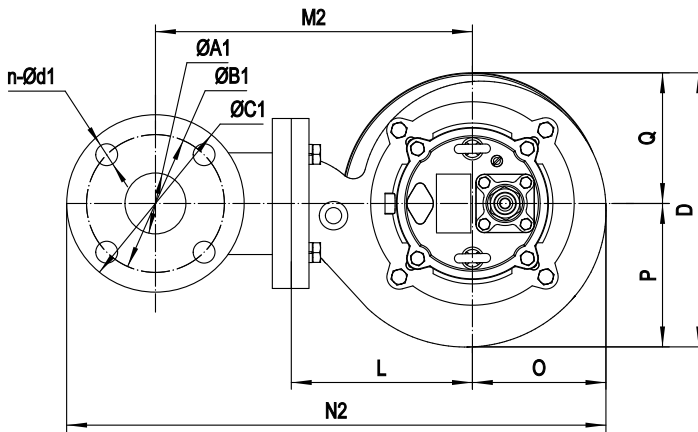


Model 50Hz/60Hz	Voltage	Current	Motor power		Outlet		Rated capacity	Rated head	Max capacity	Max Head	Impeller Passage	Cable
	V	A	kW	HP	in	mm	m³/h	m	m³/h	m	mm	mm²
S80EB42.2	380	5.0	2.2	3	3	80	45	8	73	12	50	1.5
S100EB42.2	380	5.0	2.2	3	4	100	60	7	100	12	50	1.5
S80EB43.7	380	8.5	3.7	5	3	80	45	13	90	17	50	1.5
S100EB43.7	380	8.5	3.7	5	4	100	60	12	130	17	50	1.5

## Movable Soft Pipe Installation (R)



## Movable Hard Pipe Installation (Y)



C.W.L : Continuous running water level  
L.W.L : Lowest running water level

## Dimensions table

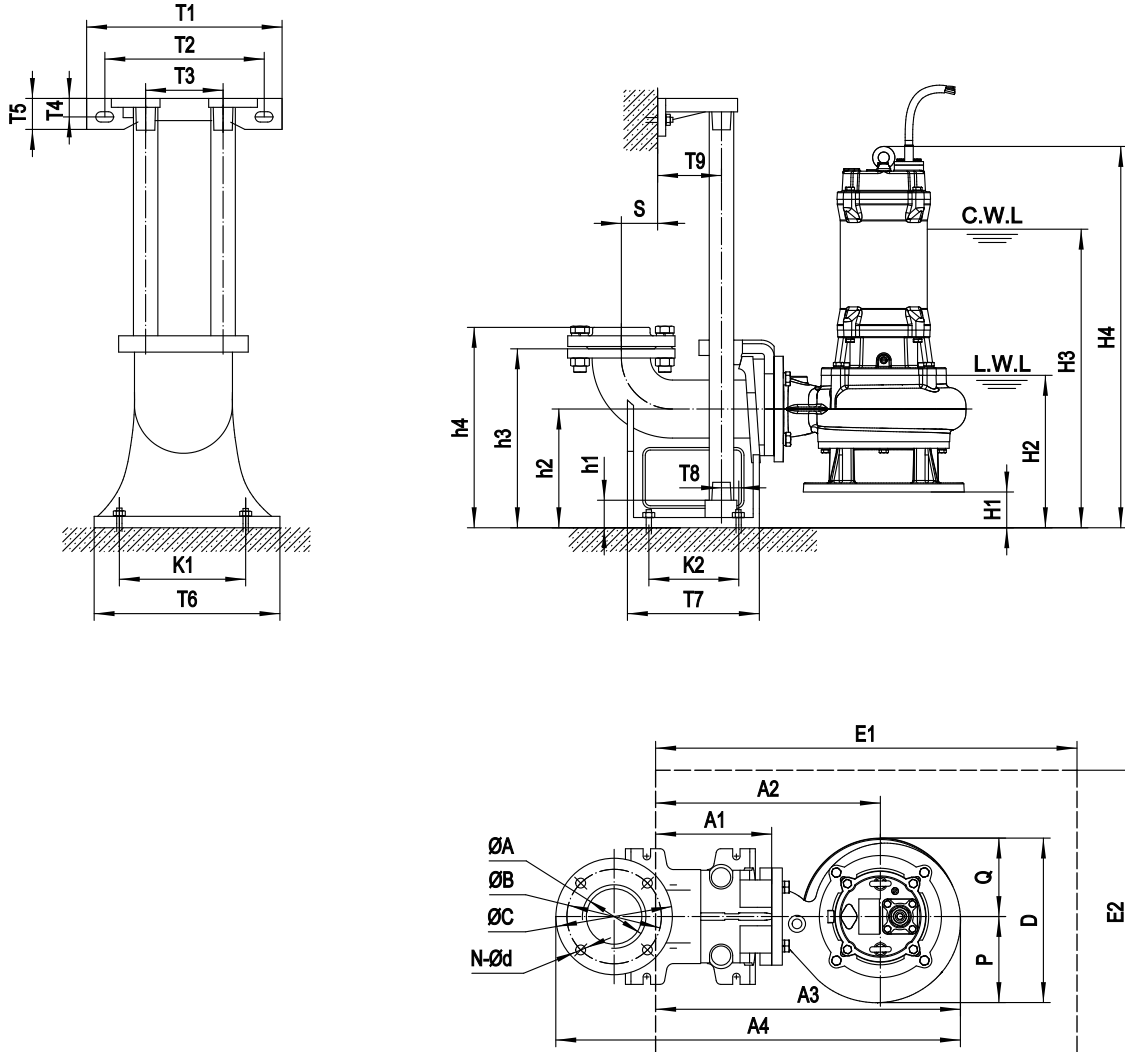
Model	Ød	ØA1	ØB1	ØC1	n-Ød1	h1	h2	h3	W1	W2	H	O	P	Q	L	D	M1	M2	N1	N2
S80EB42.2	80	80	150	190	4-Ø18	310	305	165	475	232	622	163	176	160	220	336	312	362	513	620
S100EB42.2	100	100	170	210	4-Ø18	335	315	165	475	232	622	163	176	160	220	336	322	372	535	640
S80EB43.7	80	80	150	190	4-Ø18	310	305	165	540	232	687	163	176	160	220	336	312	362	513	620
S100EB43.7	100	100	170	210	4-Ø18	335	315	165	540	232	687	163	176	160	220	336	322	372	535	640

## Weights & Packing dimensions

Model	R			Y		
	N.W	G.W	Packing dimension	N.W	G.W	Packing dimension
	kg	kg	mm	kg	kg	mm
S80EB42.2	78	87	735x375x465	82	91	735x375x465
S100EB42.2	80	89	735x375x465	84	93	735x375x465

Model	R			Y		
	N.W	G.W	Packing dimension	N.W	G.W	Packing dimension
	kg	kg	mm	kg	kg	mm
S80EB43.7	88	97	795x375x465	92	101	795x375x465
S100EB43.7	90	99	795x375x465	94	103	795x375x465

## Auto-Coupled Installation (Z)



### Dimensions table

Auto coupling	ØA	ØB	ØC	N-Ød	T1	T2	T3	T4	T5	T6	T7	T8	T9	K1	K2	S	h1	h2	h3	h4
80-80(PN6)	Ø80 / G3"	150	190	4-Ø18	315	265	145	27	50	255	225	30	78	215	155	77	25	190	305	335
100-100(PN6)	Ø100 / G4"	170	210	4-Ø18	365	305	170	32	55	295	260	35	95	265	175	100	25	230	350	380

### Dimensions table

Model	Auto coupling	H1	H2	H3	H4	A1	A2	A3	A4	P	Q	D	E1×E2	Pump weight & packing dimension		
														N.W	G.W	Packing dimension
S80EB42.2	80-80(PN6)	25	260	500	650	175	395	560	730	176	160	336	800×600	73	82	735×375×465
S100EB42.2	100-100(PN6)	65	300	540	690	200	420	582	790	176	160	336	800×600	74	83	735×375×465
S80EB43.7	80-80(PN6)	25	260	560	710	175	395	560	730	176	160	336	800×600	83	92	795×375×465
S100EB43.7	100-100(PN6)	65	300	600	750	200	420	582	790	176	160	336	800×600	84	93	795×375×465

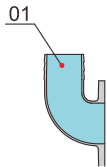
**5.5~7.5kW 4P**  
50Hz : 1450rpm  
60Hz : 1750rpm

## Specification

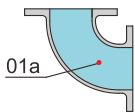
- Insulation class : B
- Protection class : IP68
- Water temperature : up to 40°C
- PH : 6 to 10
- Density of liquid : 1.3g/cm<sup>3</sup>
- Power supply : three phase 380V ±10%, 50Hz  
three phase 380V ±10%, 60Hz
- Motor protection : built in
- Capacity : up to 400m<sup>3</sup>/h
- Head : up to 24m
- Maximum immersion depth : 20m
- Cable length : 8m



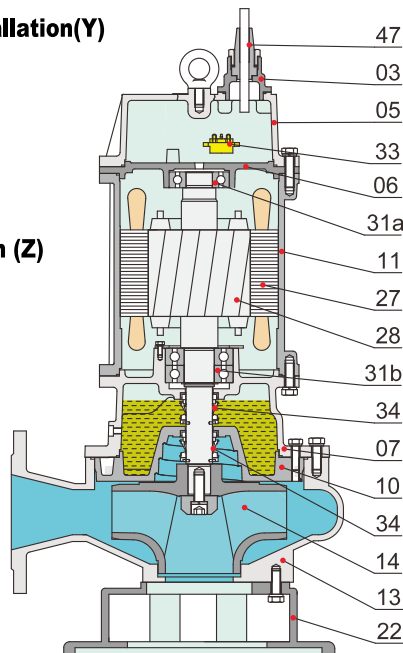
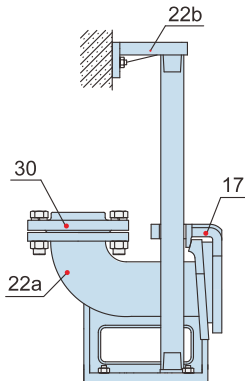
### Movable Soft Pipe Installation (R)



### Movable Hard Pipe Installation(Y)

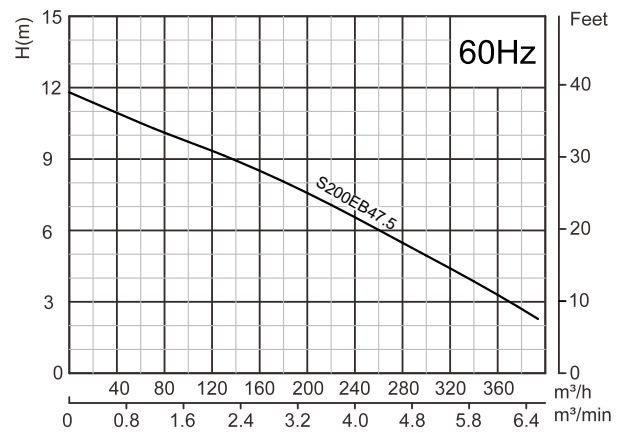
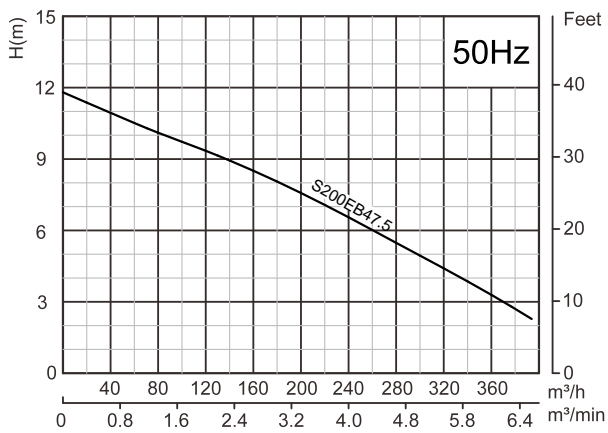
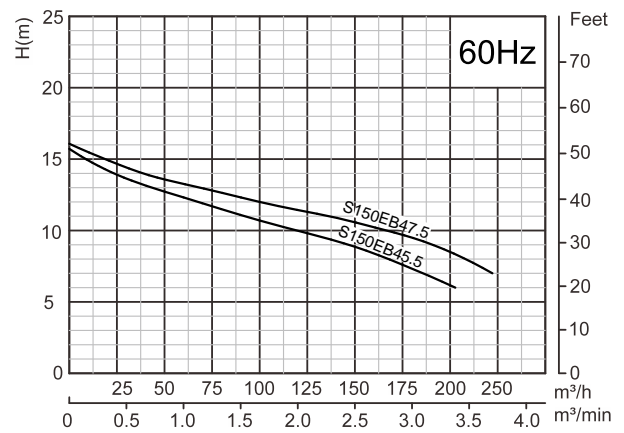
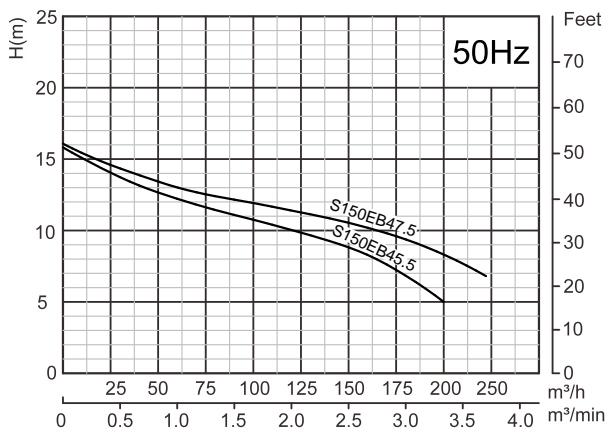
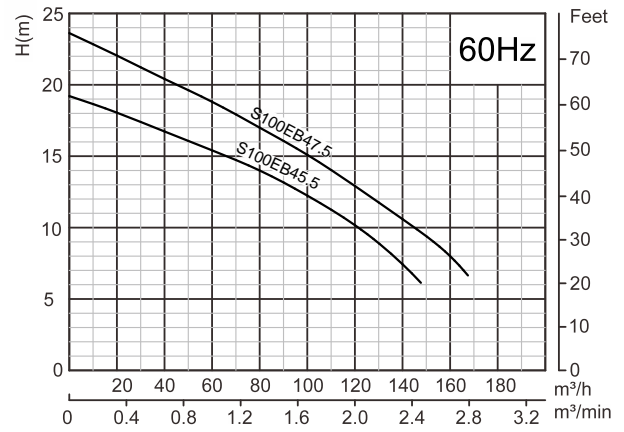
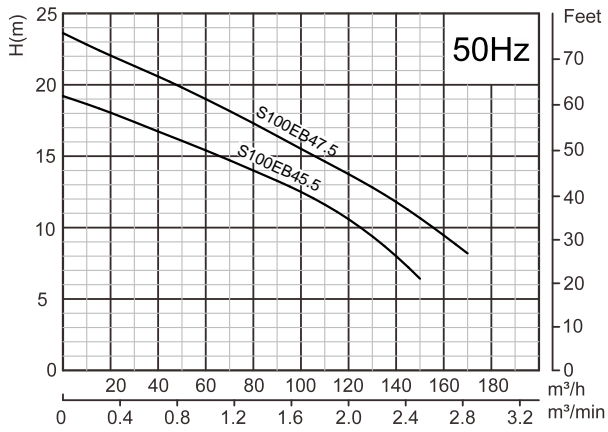


### Auto-coupled Installation (Z)



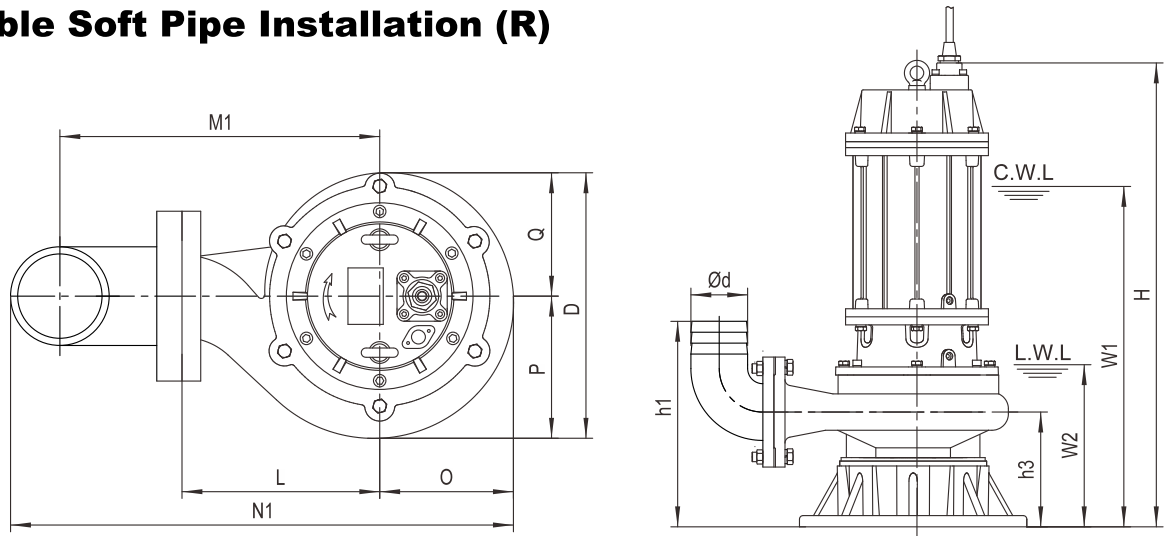
## Materials of construction

Item No.	Part name	Material
01	Hose coupling	Cast iron
01a	Hose coupling	Cast iron
03	Terminal box	Cast iron
05	Upper cover	Cast iron
06	Up-Bearing house	Cast iron
07	Bearing house	Cast iron
10	Seal bracket	Cast iron
11	Motor body	Cast iron
13	Pump body	Cast iron
14	Impeller	Ductile iron
17	Coupling adapter	Cast iron
22	Seat assembly	Cast iron
22a	Coupling seat	Cast iron
22b	Upper guide support	Cast iron
27	Stator	
28	Rotor	Shaft : AISI304SS
30	Flange	Cast iron
31a	Bearing	Ball bearing
31b	Bearing	Ball bearing
33	Motor protector	
34	Mechanical seal	Sic-Sic
47	Cable	

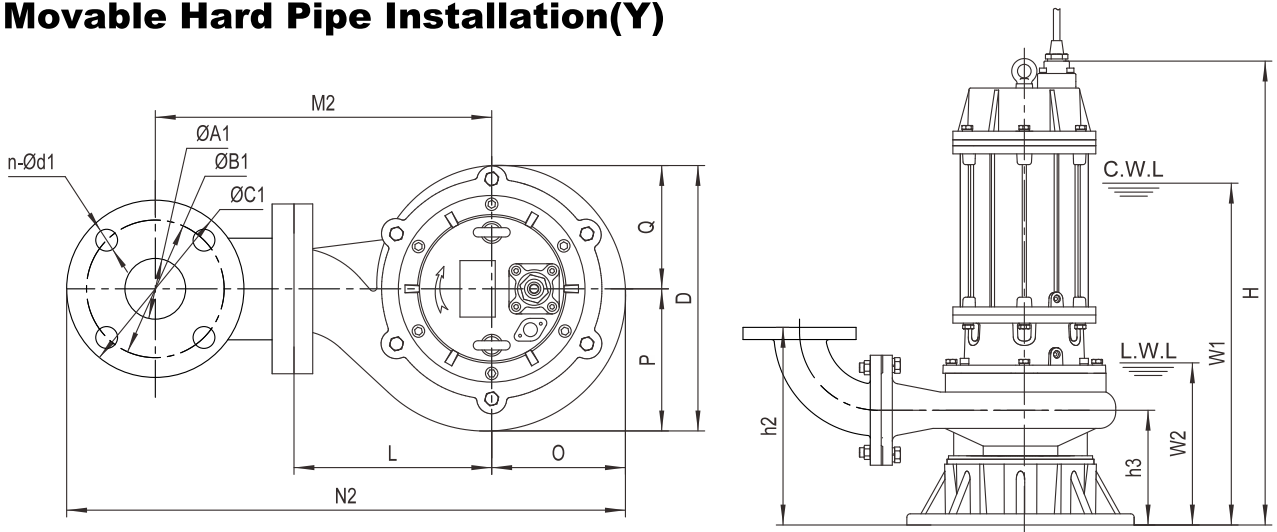


Model 50Hz/60Hz	Voltage	Current	Motor power		Outlet		Rated capacity	Rated head	Max capacity	Max Head	Impeller Passage	Cable
	V	A	kW	HP	in	mm	m³/h	m	m³/h	m	mm	mm²
S100EB45.5	380	11.7	5.5	7.5	4	100	65	15	150	19	50	4G2.5
S150EB45.5	380	11.7	5.5	7.5	6	150	110	10	200	16	55	4G2.5
S100EB47.5	380	15.7	7.5	10	4	100	100	15	170	24	50	4G4.0
S150EB47.5	380	15.7	7.5	10	6	150	150	10	240	16	75	4G4.0
S200EB47.5	380	15.7	7.5	10	8	200	250	6	400	12	75	4G4.0

## Movable Soft Pipe Installation (R)



## Movable Hard Pipe Installation(Y)



C.W.L : Continuous running water level  
L.W.L : Lowest running water level

## Dimensions table

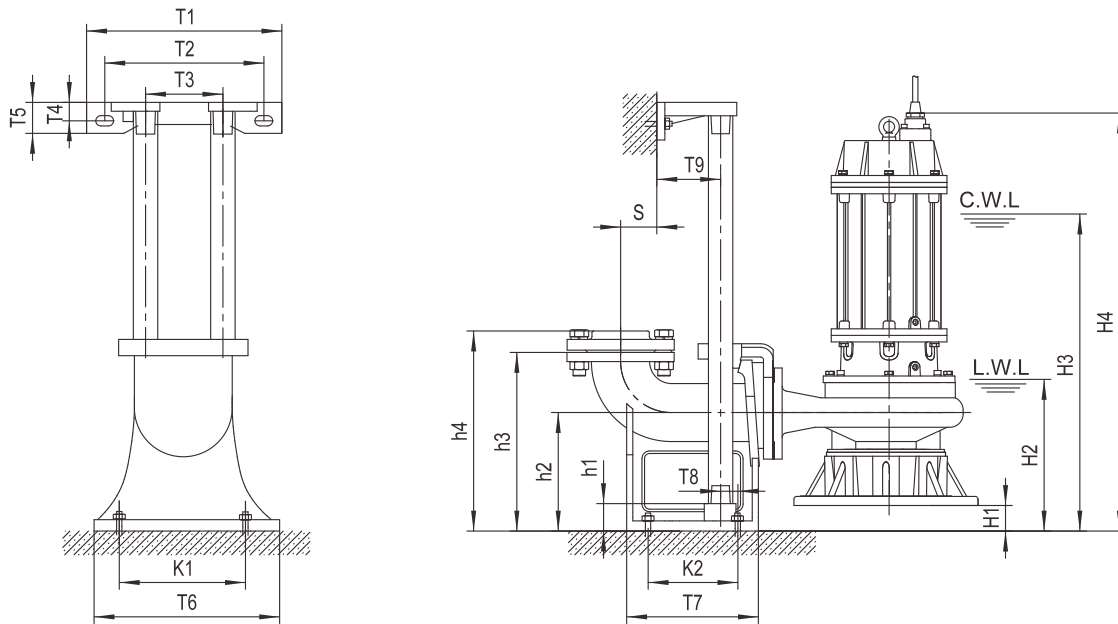
Model	Ød	ØA1	ØB1	ØC1	n-Ød1	h1	h2	h3	W1	W2	H	O	P	Q	L	D	M1	M2	N1	N2
S100EB45.5	100	100	170	210	4-Ø18	360	340	190	585	255	805	190	202	180	280	382	382	432	622	727
S150EB45.5	150	150	225	265	8-Ø18	430	405	205	615	285	835	200	215	185	300	400	452	502	726	834
S100EB47.5	100	100	170	210	4-Ø18	360	340	190	630	255	850	190	202	180	280	382	382	432	622	727
S150EB47.5	150	150	225	265	8-Ø18	430	405	205	660	285	880	200	215	185	300	400	452	502	726	834
S200EB47.5	200	200	295	340	8-Ø22	540	460	230	695	320	915	230	255	192	350	447	552	582	882	982

## Weights & Packing dimensions

Model	R			Y		
	N.W	G.W	Packing dimension	N.W	G.W	Packing dimension
	kg	kg	mm	kg	kg	mm
S100EB45.5	143	156	934×414×555	149	162	934×414×585
S150EB45.5	154	167	964×444×585	162	175	964×444×625
S100EB47.5	159	172	984×414×555	165	178	984×414×585

Model	R			Y		
	N.W	G.W	Packing dimension	N.W	G.W	Packing dimension
	kg	kg	mm	kg	kg	mm
S150EB47.5	172	184	1014×444×585	180	192	1014×444×625
S200EB47.5	203	218	730×490×1090	211	226	730×490×1090

## Auto-Coupled Installation (Z)



C.W.L : Continuous running water level  
L.W.L : Lowest running water level

The coupling and pump will be packed individually, packing dimension and weight in table only refer to the pump, please refer to P48 to check coupling's packing dimension and weight.

## Dimensions table

Auto coupling	ØA	ØB	ØC	N-Ød	T1	T2	T3	T4	T5	T6	T7	T8	T9	K1	K2	S	h1	h2	h3	h4
100-100(PN6)	Ø100 / G4"	170	210	4-Ø18	365	305	170	32	55	295	260	35	95	265	175	100	25	230	350	380
150-150(PN6)	Ø150	225	265	8-Ø18	400	260	280	24	48	400	410	75	95	280	300	200	390	300	480	—
200-200(PN10)	Ø200	295	340	8-Ø22	400	260	280	24	48	400	445	100	95	300	355	230	440	325	555	—

## Dimensions table

Model	Auto coupling	H1	H2	H3	H4	A1	A2	A3	A4	P	Q	D	E1×E2	Pump weight & packing dimension		
														N.W	G.W	Packing dimension
S100EB45.5	100-100(PN6)	42	295	625	845	200	480	670	875	202	180	382	900×600	137	150	934×414×555
S150EB45.5	150-150(PN6)	93	380	710	930	285	585	785	1125	215	185	400	1000×600	142	155	964×444×585
S100EB47.5	100-100(PN6)	42	295	670	890	200	480	670	875	202	180	382	900×600	153	166	984×414×555
S150EB47.5	150-150(PN6)	93	380	755	975	285	585	785	1125	215	185	400	1000×600	160	172	1014×444×585
S200EB47.5	200-200(PN10)	95	415	790	1010	285	635	865	1263	255	192	447	1050×650	178	193	730×490×1090

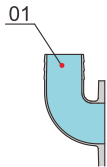
**11~22kW 4P**  
50Hz : 1450rpm  
60Hz : 1750rpm

## Specification

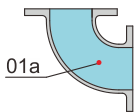
- Insulation class : B
- Protection class : IP68
- Water temperature : up to 40°C
- PH : 6 to 10
- Density of liquid : 1.3g/cm<sup>3</sup>
- Power supply : three phase 380V ±10%, 50Hz  
three phase 380V ±10%, 60Hz
- Motor protection : built in
- Capacity : up to 860 m<sup>3</sup>/h
- Head : up to 44m
- Maximum immersion depth : 20m
- Cable length : 8m



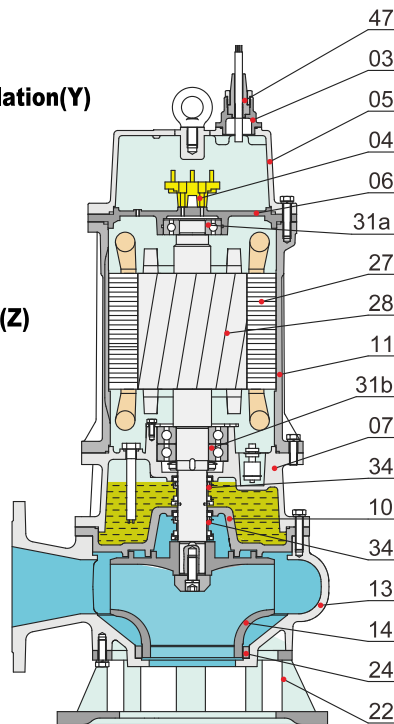
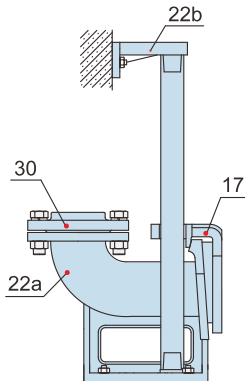
### Movable Soft Pipe Installation (R)



### Movable Hard Pipe Installation(Y)



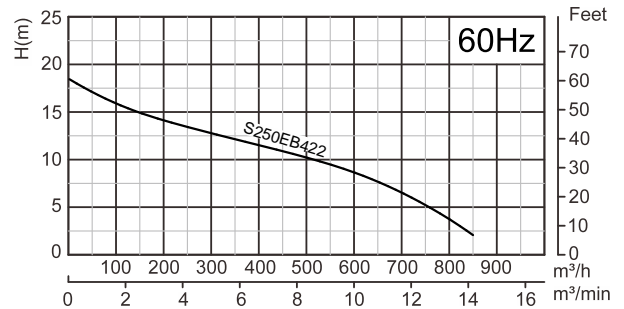
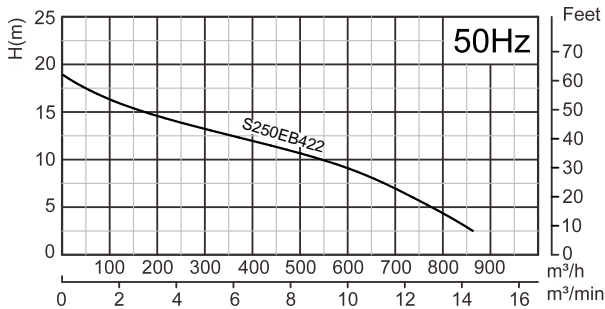
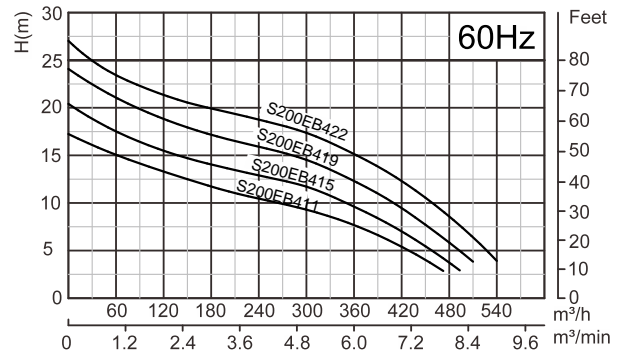
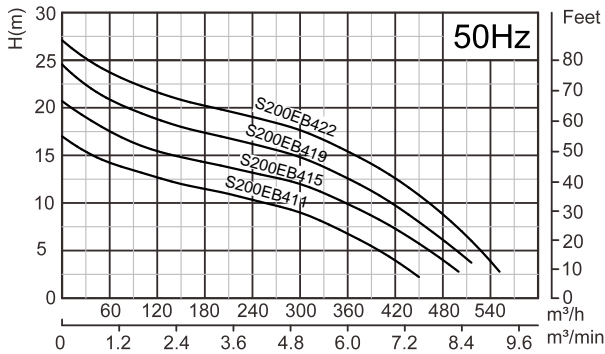
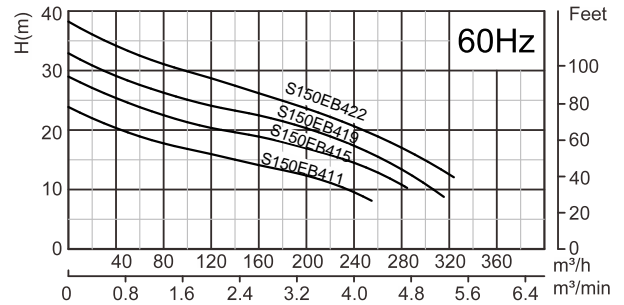
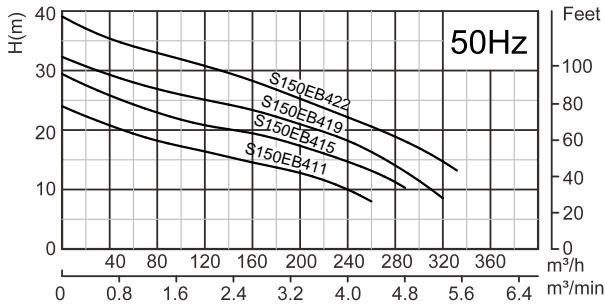
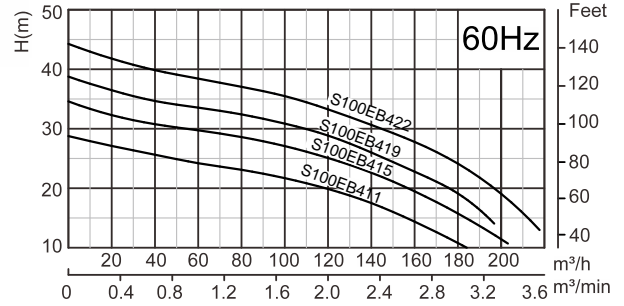
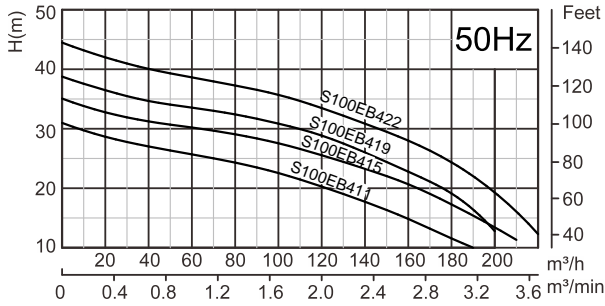
### Auto-coupled Installation (Z)



## Materials of construction

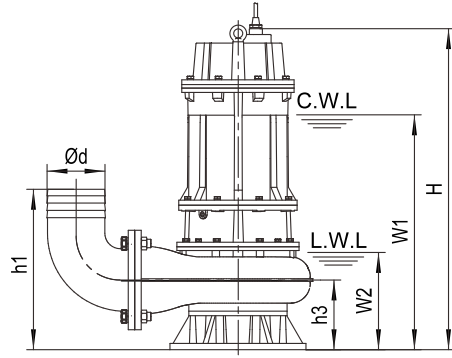
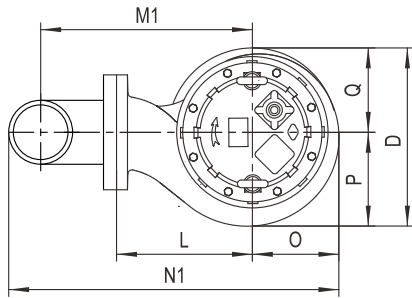
Item No.	Part name	Material
01	Hose coupling	Cast iron
01a	Hose coupling	Cast iron
03	Terminal box	Cast iron
04	Wiring terminal	
05	Upper cover	Cast iron
06	Up-Bearing house	Cast iron
07	Bearing house	Cast iron
10	Seal bracket	Cast iron
11	Motor body	Cast iron
13	Pump body	Cast iron
14	Impeller	Ductile iron
17	Coupling adapter	Cast iron
22	Seat assembly	Cast iron
22a	Coupling seat	Cast iron
22b	Upper guide support	Cast iron
24	Neck ring	High chrome alloy
27	Stator	
28	Rotor	Shaft : AISI420SS
30	Flange	Cast iron
31a	Bearing	Ball bearing
31b	Bearing	Ball bearing
34	Mechanical seal	Sic-Sic
47	Cable	



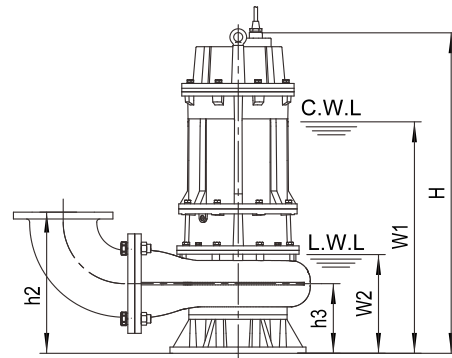
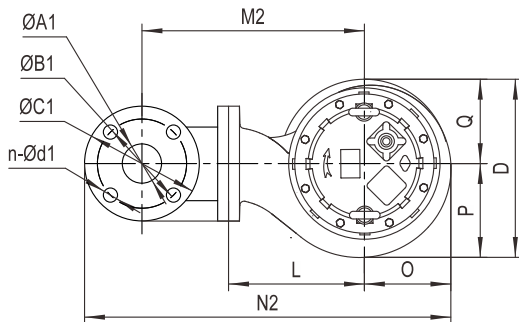


Model	Voltage	Current	Motor power		Outlet		Rated capacity	Rated head	Max capacity	Max Head	Impeller Passage	Cable
			kW	HP	in	mm						
50Hz/60Hz	V	A	kW	HP	in	mm	m³/h	m	m³/h	m	mm	mm²
S100EB411	380	22	11	15	4	100	100	22	190	31/28	50	4G4.0
S150EB411	380	22	11	15	6	150	150	15	260	24	60	4G4.0
S200EB411	380	22	11	15	8	200	300	9	450/475	17	70	4G4.0
S100EB415	380	30.1	15	20	4	100	100	27	210	35	50	4G6.0
S150EB415	380	30.1	15	20	6	150	150	20	290	29	60	4G6.0
S200EB415	380	30.1	15	20	8	200	300	12	490	21	70	4G6.0
S100EB419	380	38	19	25	4	100	100	31	200	38	50	4G10.0
S150EB419	380	38	19	25	6	150	150	24	300	32	60	4G10.0
S200EB419	380	38	19	25	8	200	300	15	530	25	70	4G10.0
S100EB422	380	45	22	30	4	100	100	36	220	44	50	4G10.0
S150EB422	380	45	22	30	6	150	150	28	330	39	60	4G10.0
S200EB422	380	45	22	30	8	200	300	18	550	27	70	4G10.0
S250EB422	380	45	22	30	10	250	500	11	800	22	70	4G10.0

## Movable Soft Pipe Installation (R)



## Movable Hard Pipe Installation (Y)



C.W.L : Continuous running water level  
L.W.L : Lowest running water level

## Dimensions table

Model	Ød	ØA1	ØB1	ØC1	n-Ød1	h1	h2	h3	W1	W2	H	O	P	Q	L	D	M1	M2	N1	N2
S100EB411	100	100	170	210	4-Ø18	355	335	185	650	255	910	210	217	210	310	427	412	462	672	777
S150EB411	150	150	225	265	8-Ø18	440	415	215	680	285	940	210	225	210	320	435	472	522	757	865
S200EB411	200	200	295	340	8-Ø22	545	465	235	720	325	980	225	253	210	340	463	542	572	868	968
S100EB415	100	100	170	210	4-Ø18	355	335	185	695	255	955	210	217	210	310	427	412	462	672	777
S150EB415	150	150	225	265	8-Ø18	440	415	215	725	285	985	210	225	210	320	435	472	522	757	865
S200EB415	200	200	295	340	8-Ø22	545	465	235	765	325	1025	225	253	210	340	463	542	572	868	968
S100EB419	100	100	170	210	4-Ø18	355	335	185	715	255	1010	218	227	210	325	437	427	477	695	800
S150EB419	150	150	225	265	8-Ø18	440	415	215	740	285	1035	220	235	210	335	445	487	537	783	890
S200EB419	200	200	295	340	8-Ø22	545	465	235	785	325	1080	233	260	210	350	470	552	582	885	985
S100EB422	100	100	170	210	4-Ø18	355	335	185	736	255	1030	218	227	210	325	437	427	477	695	800
S150EB422	150	150	225	265	8-Ø18	440	415	215	760	285	1055	220	235	210	335	445	487	537	783	890
S200EB422	200	200	295	340	8-Ø22	545	465	235	805	325	1100	233	260	210	350	470	552	582	885	985
S250EB422	-	250	350	395	12-Ø22	-	545	275	860	400	1160	280	313	270	400	583	-	673	-	1150

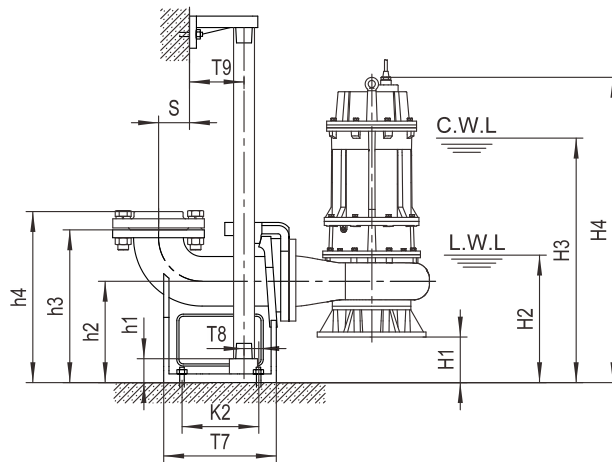
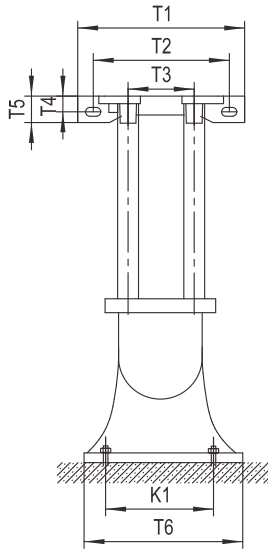
※Standard equipment of 250 mm outlet dimension does not include the bend hose coupling.

## Weights & Packing dimensions

Model	R			Y		
	N.W	G.W	Packing dimension	N.W	G.W	Packing dimension
	kg	kg	mm	kg	kg	mm
S100EB411	253	271	700×470×1100	259	277	700×470×1100
S150EB411	256	274	700×470×1130	264	282	700×470×1130
S200EB411	280	299	700×500×1170	288	307	700×500×1170
S100EB415	275	293	700×470×1150	281	299	700×470×1150
S150EB415	277	295	700×470×1170	285	303	700×470×1170
S200EB415	302	321	700×500×1220	310	329	700×500×1220
S100EB419	326	345	700×480×1240	332	351	700×480×1240

Model	R			Y		
	N.W	G.W	Packing dimension	N.W	G.W	Packing dimension
	kg	kg	mm	kg	kg	mm
S150EB419	327	346	700×480×1240	335	354	700×480×1240
S200EB419	354	373	720×510×1280	362	381	720×510×1280
S100EB422	346	366	700×480×1240	352	372	700×480×1240
S150EB422	347	367	700×480×1240	355	375	700×480×1240
S200EB422	374	394	720×510×1280	382	402	720×510×1280
S250EB422	390	411	720×600×1300	400	421	720×600×1300

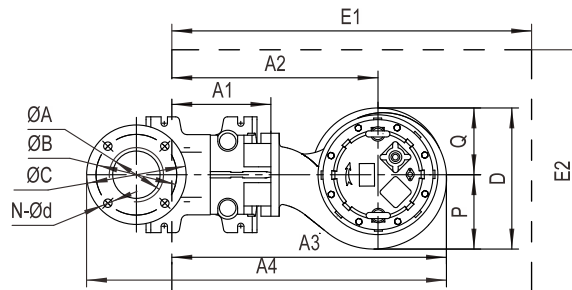
## Auto-Coupled Installation (Z)



C.W.L : Continuous running water level

L.W.L : Lowest running water level

The coupling and pump will be packed individually, packing dimension and weight in table only refer to the pump, please refer to P48 to check coupling's packing dimension and weight.



## Dimensions table

Auto coupling	ØA	ØB	ØC	N-Ød	T1	T2	T3	T4	T5	T6	T7	T8	T9	K1	K2	S	h1	h2	h3	h4
100-100(PN6)	Ø100 / G4"	170	210	4-Ø18	365	305	170	32	55	295	260	35	95	265	175	100	25	230	350	380
150-150(PN6)	Ø150	225	265	8-Ø18	400	260	280	24	48	400	410	75	95	280	300	200	390	300	480	—
200-200(PN10)	Ø200	295	340	8-Ø22	400	260	280	24	48	400	445	100	95	300	355	230	440	325	555	—
250-250(PN10)	Ø250	350	395	12-Ø22	400	260	280	24	48	460	555	110	95	360	430	295	460	315	630	—

※Standard equipment of 150,200,250mm outlet dimension does not include flange.

## Dimensions table

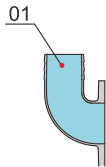
Model	Auto coupling	H1	H2	H3	H4	A1	A2	A3	A4	P	Q	D	E1×E2	Pump weight & packing dimension		
														N.W	G.W	Packing dimension
S100EB411	100-100(PN6)	45	300	695	955	200	510	720	925	217	210	427	900×600	247	265	700×470×1100
S150EB411	150-150(PN6)	85	370	765	1025	285	605	815	1155	225	210	435	1050×650	244	262	700×470×1130
S200EB411	200-200(PN10)	90	415	810	1070	285	625	850	1250	253	210	463	1050×650	255	284	700×500×1170
S100EB415	100-100(PN6)	45	300	740	1000	200	510	720	925	217	210	427	900×600	269	287	700×470×1150
S150EB415	150-150(PN6)	85	370	810	1070	285	605	815	1155	225	210	435	1050×650	265	283	700×470×1170
S200EB415	200-200(PN10)	90	415	855	1115	285	625	850	1250	253	210	463	1050×650	277	296	700×500×1220
S100EB419	100-100(PN6)	45	300	760	1055	200	525	743	950	227	210	437	900×600	320	339	700×480×1240
S150EB419	150-150(PN6)	85	375	825	1120	285	620	840	1180	235	210	445	1050×650	315	334	700×480×1240
S200EB419	200-200(PN10)	90	420	875	1170	285	635	868	1265	260	210	470	1050×650	329	348	720×510×1280
S100EB422	100-100(PN6)	45	300	780	1075	200	525	743	950	227	210	437	900×600	340	360	700×480×1240
S150EB422	150-150(PN6)	85	375	845	1140	285	620	840	1180	235	210	445	1050×650	335	355	700×480×1240
S200EB422	200-200(PN10)	90	420	895	1190	285	635	868	1265	260	210	470	1050×650	349	369	720×510×1280
S250EB422	250-250(PN10)	40	400	860	1160	310	710	990	1482	313	270	583	1100×850	360	381	720×600×1300

30~45kW 4P  
50Hz : 1450rpm  
60Hz : 1750rpm

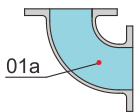
## Specification

- Insulation class : B
- Protection class : IP68
- Starting method : reduced-voltage starting
- Water temperature : up to 40°C
- PH : 6 to 10
- Density of liquid : 1.3g/cm<sup>3</sup>
- Power supply : three phase 380V ±10%, 50Hz  
three phase 380V ±10%, 60Hz
- Capacity : up to 1200 m<sup>3</sup>/h
- Head : up to 50m
- Maximum immersion depth : 20 m
- Cable length : 8m

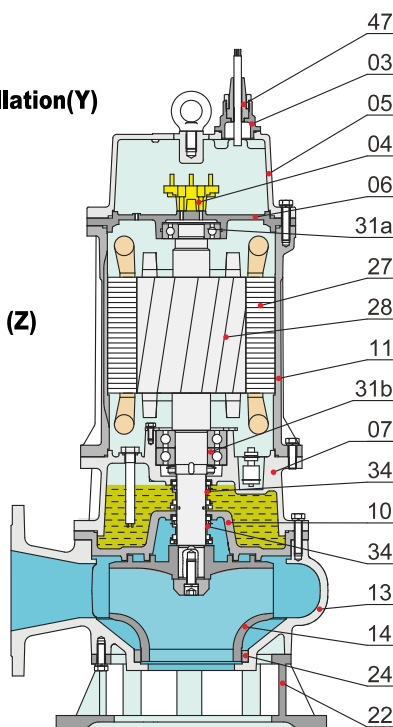
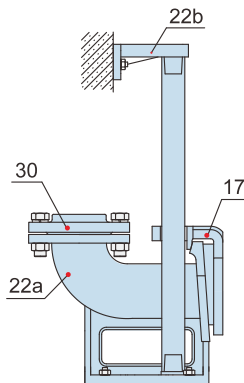
### Movable Soft Pipe Installation (R)



### Movable Hard Pipe Installation(Y)

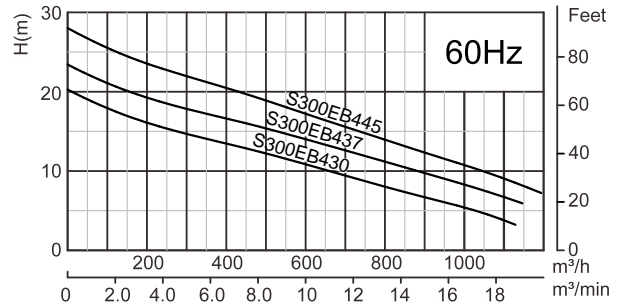
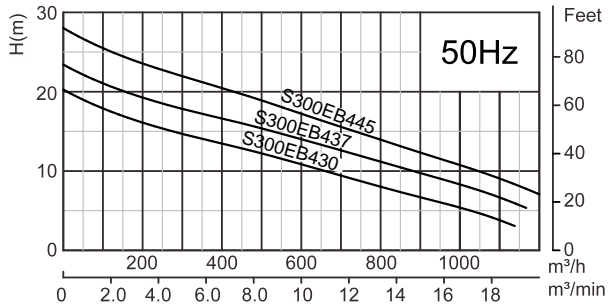
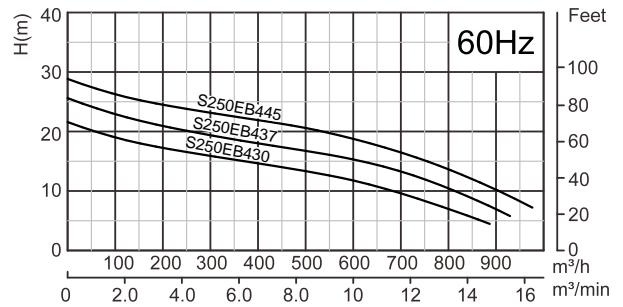
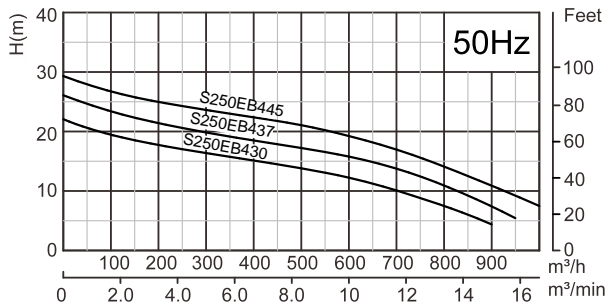
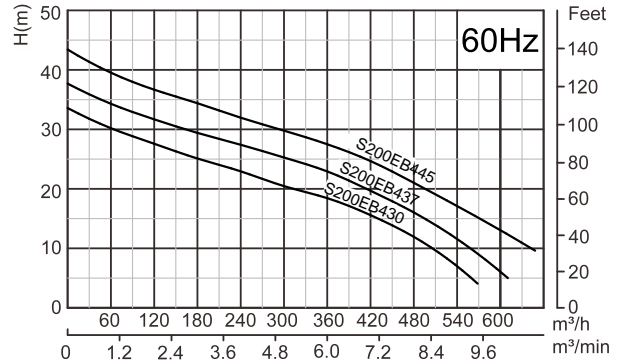
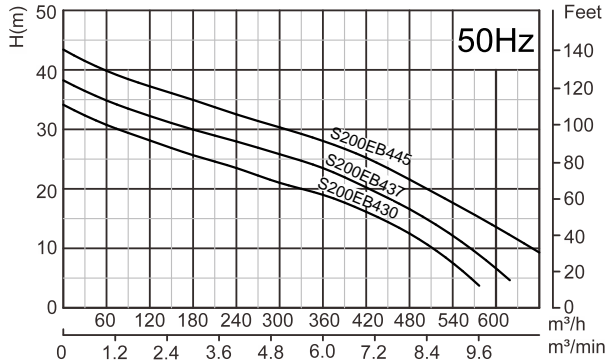
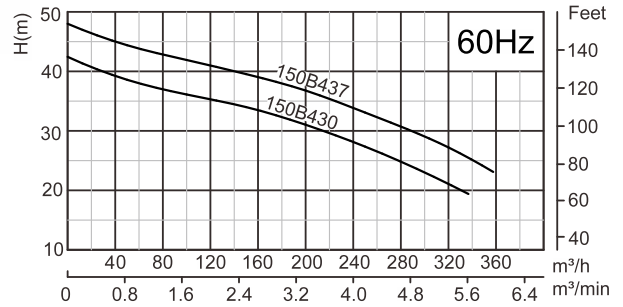
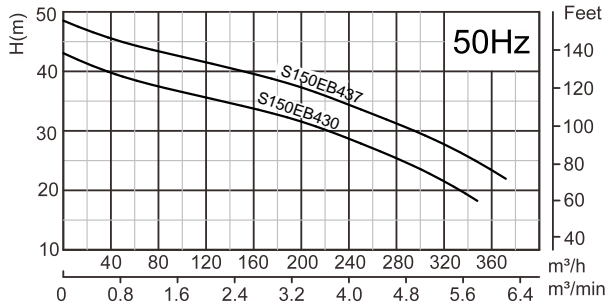


### Auto-coupled Installation (Z)



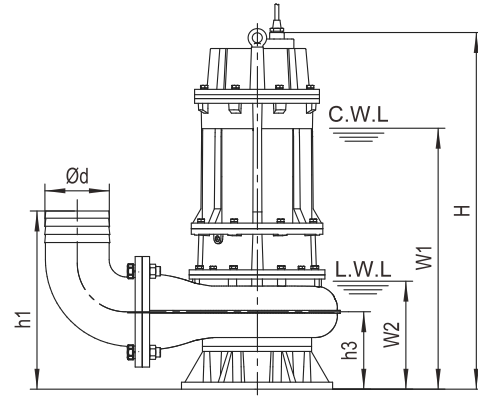
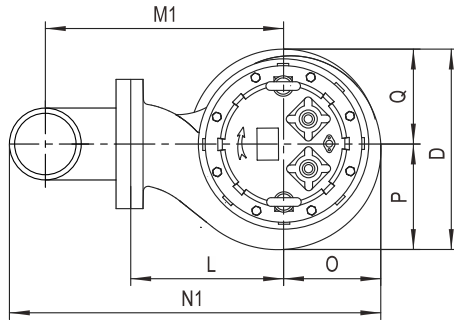
## Materials of construction

Item No.	Part name	Material
01	Hose coupling	Cast iron
01a	Hose coupling	Cast iron
03	Terminal box	Cast iron
04	Wiring terminal	
05	Upper cover	Cast iron
06	Up-Bearing house	Cast iron
07	Bearing house	Cast iron
10	Seal bracket	Cast iron
11	Motor body	Cast iron
13	Pump body	Cast iron
14	Impeller	Ductile iron
17	Coupling adapter	Cast iron
22	Seat assembly	Cast iron
22a	Coupling seat	Cast iron
22b	Upper guide support	Cast iron
24	Neck ring	High chrome alloy
27	Stator	
28	Rotor	Shaft : AISI420SS
30	Flange	Cast iron
31a	Bearing	Ball bearing
31b	Bearing	Ball bearing
34	Mechanical seal	Sic-Sic
47	Cable	

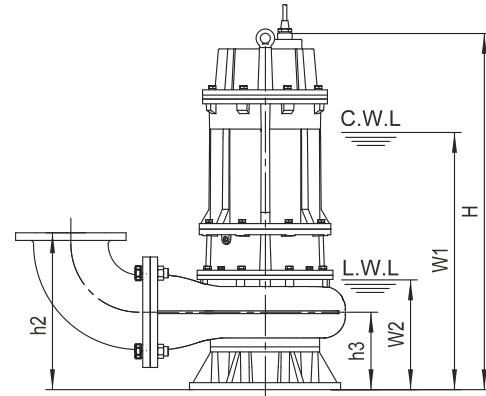
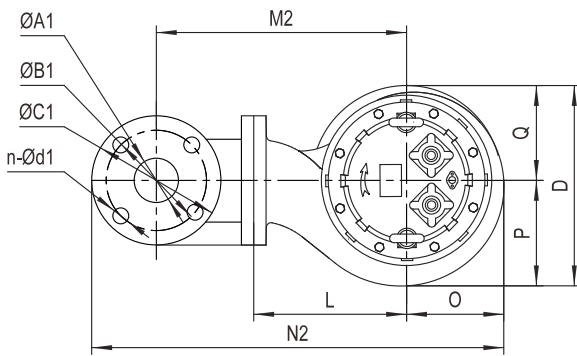


Model	Voltage	Current	Motor power		Outlet		Rated capacity	Rated head	Max capacity	Max Head	Impeller Passage
	50Hz/60Hz	V	A	kW	HP	in	mm	m³/h	m	m³/h	m
S150EB430	380	57.6	30	40	6	150	150	34	310	45	55
S200EB430	380	57.6	30	40	8	200	300	21	570	33	80
S250EB430	380	57.6	30	40	10	250	500	14	860	27/25	85
S300EB430	380	57.6	30	40	12	300	800	8	1040	22	90
S150EB437	380	69.8	37	50	6	150	150	40	330	50	55
S200EB437	380	69.8	37	50	8	200	300	25	620	39	80
S250EB437	380	69.8	37	50	10	250	500	18	930	30	85
S300EB437	380	69.8	37	50	12	300	800	11	1060	25	90
S200EB445	380	84.5	45	60	8	200	300	30	660	43	80
S250EB445	380	84.5	45	60	10	250	500	21	950	34	85
S300EB445	380	84.5	45	60	12	300	800	14	1080	28	90

## Movable Soft Pipe Installation (R)



## Movable Hard Pipe Installation (Y)



C.W.L : Continuous running water level  
L.W.L : Lowest running water level

## Dimensions table

Model	Ød	ØA1	ØB1	ØC1	n-Ød1	h1	h2	h3	W1	W2	H	O	P	Q	L	D	M1	M2	N1	N2
S150EB430	150	150	240	280	8-Ø22	475	450	250	855	340	1200	272	283	270	380	553	532	582	879	997
S200EB430	200	200	295	340	8-Ø22	580	500	270	895	380	1240	286	308	270	390	578	592	622	978	1078
S250EB430	—	250	350	395	12-Ø22	—	545	275	920	400	1265	300	332	270	410	602	—	683	—	1181
S300EB430	—	300	400	445	12-Ø22	—	630	310	970	450	1315	340	386	290	480	676	—	803	—	1365
S150EB437	150	150	240	280	8-Ø22	475	450	250	850	340	1255	272	283	270	380	553	532	582	879	997
S200EB437	200	200	295	340	8-Ø22	580	500	270	890	380	1295	286	308	270	390	578	592	622	978	1078
S250EB437	—	250	350	395	12-Ø22	—	545	275	910	400	1315	300	332	270	410	602	—	683	—	1181
S300EB437	—	300	400	445	12-Ø22	—	630	310	960	450	1365	340	386	290	480	676	—	803	—	1365
S200EB445	200	200	295	340	8-Ø22	580	500	270	930	380	1295	286	308	270	390	578	592	622	978	1078
S250EB445	—	250	350	395	12-Ø22	—	545	275	950	400	1315	300	332	270	410	602	—	683	—	1181
S300EB445	—	300	400	445	12-Ø22	—	630	310	1000	450	1365	340	386	290	480	676	—	803	—	1365

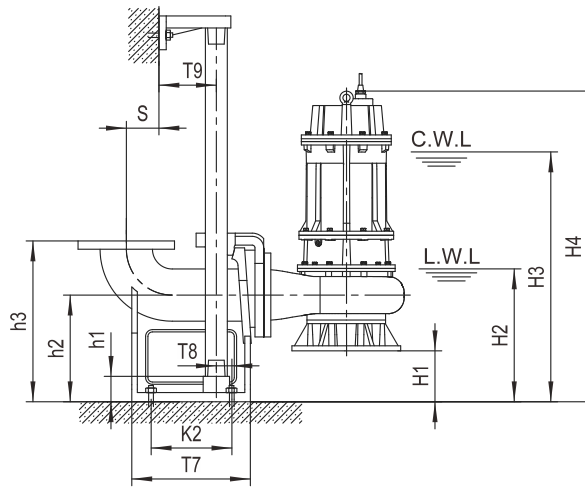
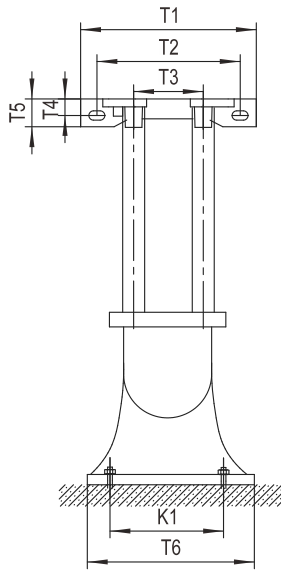
※Standard equipment of 250, 300 mm outlet dimension does not include the bend hose coupling

## Weights & Packing dimensions

Model	R			Y		
	N.W	G.W	Packing dimension	N.W	G.W	Packing dimension
	kg	kg	mm	kg	kg	mm
S150EB430	497	519	780×600×1430	505	527	780×600×1430
S200EB430	519	541	820×620×1470	527	549	820×620×1470
S250EB430	512	535	780×650×1490	559	582	780×650×1490
S300EB430	557	581	860×720×1540	602	626	860×720×1540
S150EB437	557	579	780×600×1480	565	587	780×600×1480
S200EB437	576	598	820×620×1520	584	606	820×620×1520

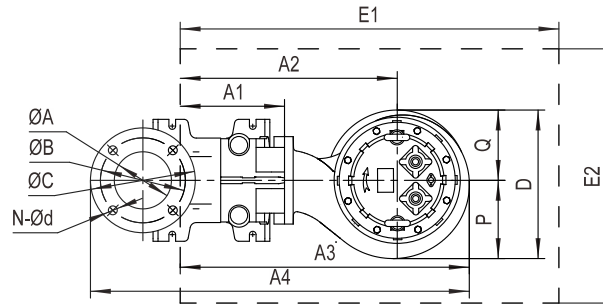
Model	R			Y		
	N.W	G.W	Packing dimension	N.W	G.W	Packing dimension
	kg	kg	mm	kg	kg	mm
S250EB437	570	593	780×650×1540	617	640	780×650×1540
S300EB437	614	638	860×720×1590	659	683	860×720×1590
S200EB445	612	634	820×620×1520	620	642	820×620×1520
S250EB445	606	629	780×650×1540	653	676	780×650×1540
S300EB445	650	674	860×720×1590	695	719	860×720×1590

## Auto-Coupled Installation (Z)



C.W.L : Continuous running water level  
L.W.L : Lowest running water level

The coupling and pump will be packed individually, packing dimension and weight in table only refer to the pump, please refer to P48 to check coupling's packing dimension and weight.



## Dimensions table

Auto coupling	ØA	ØB	ØC	N-Ød	T1	T2	T3	T4	T5	T6	T7	T8	T9	K1	K2	S	h1	h2	h3
150-150(PN10)	Ø150	240	280	8-Ø22	400	260	280	24	48	400	410	75	95	280	300	200	390	300	480
200-200(PN10)	Ø200	295	340	8-Ø22	400	260	280	24	48	400	445	100	95	300	355	230	440	325	555
250-250(PN10)	Ø250	350	395	12-Ø22	400	260	280	24	48	460	555	110	95	360	430	295	460	315	630
300-300(PN10)	Ø300	400	445	12-Ø22	520	340	375	32	65	550	600	140	110	445	465	280	480	415	730

## Dimensions table

Model	Auto coupling	H1	H2	H3	H4	A1	A2	A3	A4	P	Q	D	E1×E2	Pump weight & packing dimension		
														N.W	G.W	Packing dimension
S150EB430	150-150(PN10)	50	390	905	1250	285	665	935	1275	283	270	553	1150×700	485	507	780×600×1430
S200EB430	200-200(PN10)	55	435	950	1295	285	675	960	1360	308	270	578	1150×800	494	516	820×620×1470
S250EB430	250-250(PN10)	40	440	960	1305	310	720	1020	1510	332	270	602	1250×800	512	535	780×650×1490
S300EB430	300-300(PN10)	105	555	1075	1420	380	860	1200	1700	386	290	676	1400×800	557	581	860×720×1540
S150EB437	150-150(PN10)	50	390	900	1305	285	665	935	1275	283	270	553	1150×750	545	567	780×600×1480
S200EB437	200-200(PN10)	55	435	945	1350	285	675	960	1360	308	270	578	1150×800	551	573	820×620×1520
S250EB437	250-250(PN10)	40	440	950	1355	310	720	1020	1510	332	270	602	1250×800	570	593	780×650×1540
S300EB437	300-300(PN10)	105	555	1065	1470	380	860	1200	1700	386	290	676	1400×800	614	638	860×720×1590
S200EB445	200-200(PN10)	55	435	985	1350	285	675	960	1360	308	270	578	1150×800	587	609	820×620×1520
S250EB445	250-250(PN10)	40	440	990	1355	310	720	1020	1510	332	270	602	1250×800	606	629	780×650×1540
S300EB445	300-300(PN10)	105	555	1105	1470	380	860	1200	1700	386	290	676	1400×800	650	674	860×720×1590

**55~75kW 4P**

50Hz : 1450rpm

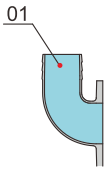
60Hz : 1750rpm

## Specification

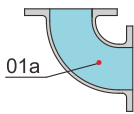
- Insulation class : B
- Protection class : IP68
- Starting method : reduced-voltage starting
- Water temperature : up to 40°C
- PH : 6 to 10
- Density of liquid : 1.3g/cm<sup>3</sup>
- Power supply : three phase 380V ±10%, 50Hz  
three phase 380V ±10%, 60Hz
- Capacity : up to 1250 m<sup>3</sup>/h
- Head : up to 64m
- Maximum immersion depth : 20 m
- Cable length : 10m



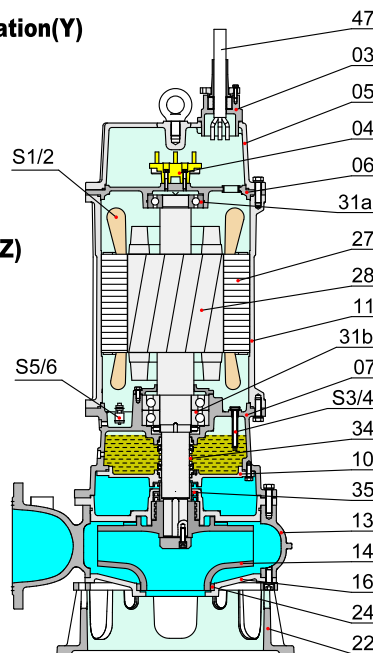
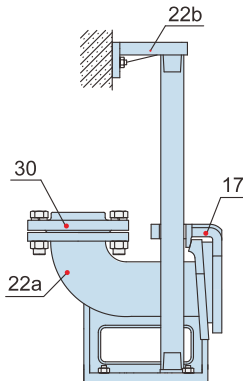
### Movable Soft Pipe Installation (R)



### Movable Hard Pipe Installation (Y)



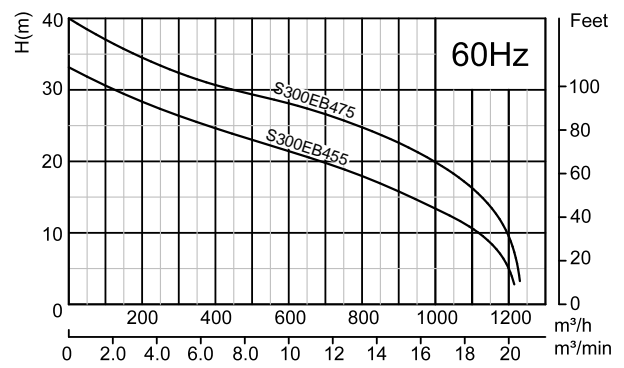
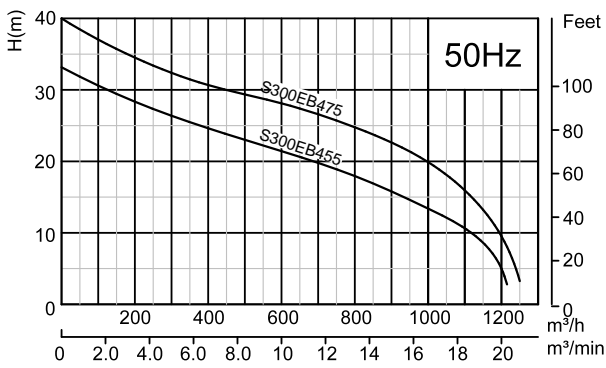
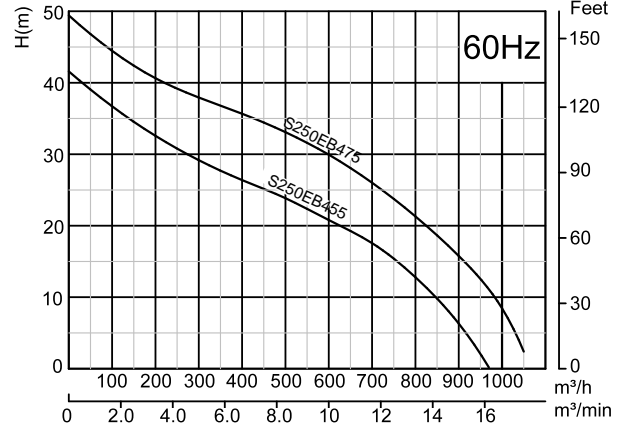
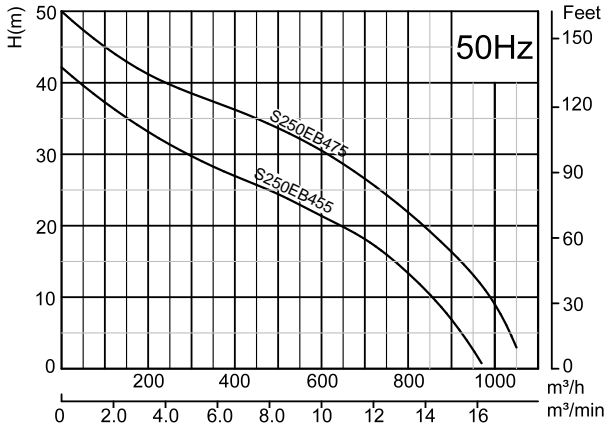
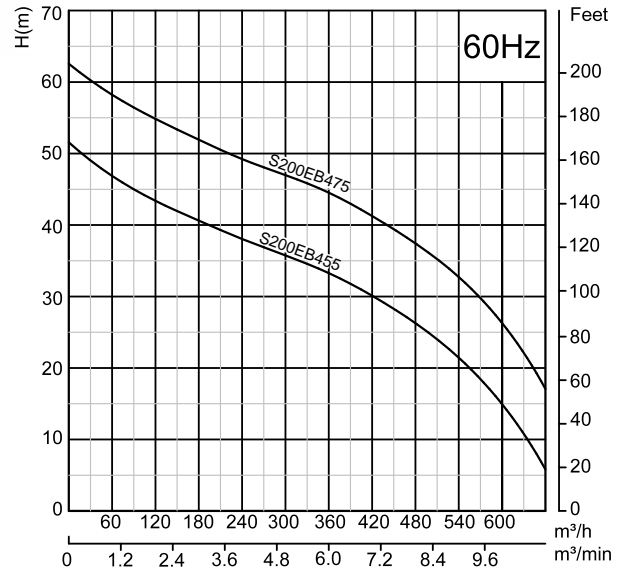
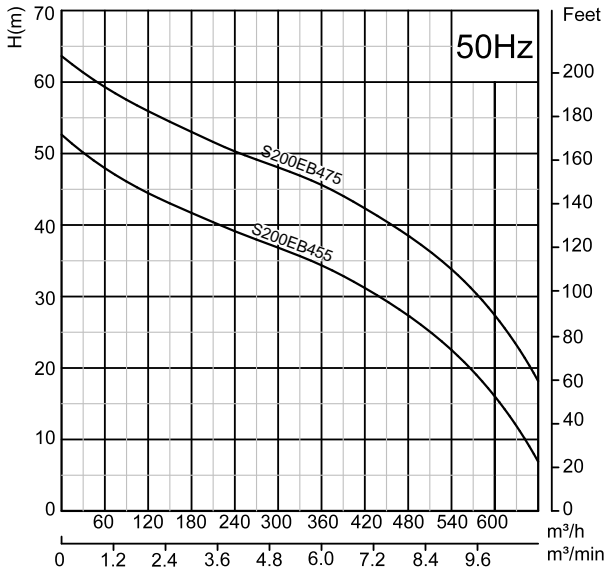
### Auto-coupled Installation (Z)



## Materials of construction

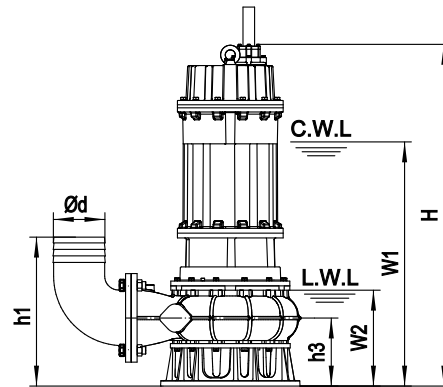
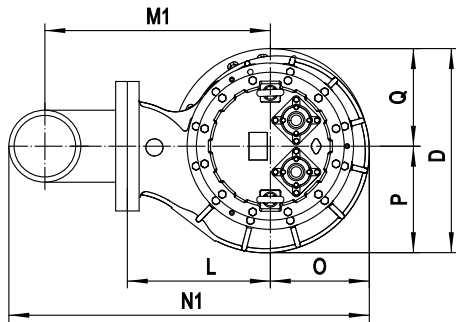
Item No.	Part name	Material
01	Hose coupling	Cast iron
01a	Hose coupling	Cast iron
03	Terminal box	Cast iron
04	Wiring terminal	
05	Upper cover	Cast iron
06	Up-Bearing house	Cast iron
07	Bearing house	Cast iron
10	Seal bracket	Cast iron
11	Motor body	Cast iron
13	Pump body	Cast iron
14	Impeller	Ductile iron
16	Inlet plate	Cast iron
17	Coupling adapter	Cast iron
22	Seat assembly	Cast iron
22a	Coupling seat	Cast iron
22b	Upper guide support	Cast iron
24	Neck ring	High chrome alloy
27	Stator	
28	Rotor	Shaft : AISI420SS
30	Flange	Cast iron
31a	Bearing	Ball bearing
31b	Bearing	Ball bearing
34	Mechanical seal	Sic-Sic
35	Oil seal	
47	Cable	
S1/2	Overheat protector : on option	
S3/4	Oil water leakage probe : on option	
S5/6	Floating switch : on option	



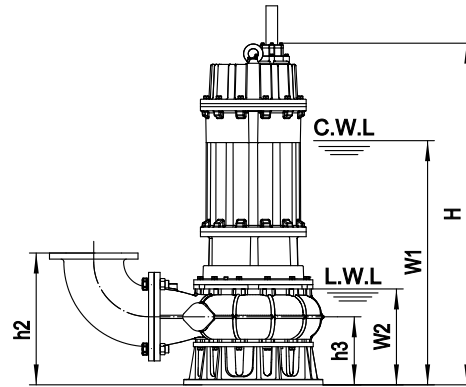
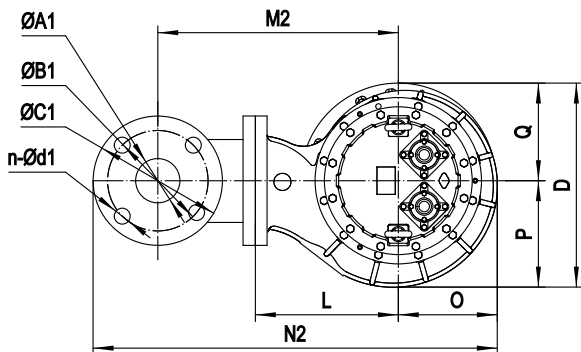


Model	Voltage	Current	Motor power		Outlet		Rated capacity	Rated head	Max capacity	Max Head	Impeller Passage
	V	A	kW	HP	in	mm	m³/h	m	m³/h	m	mm
50Hz/60Hz											
S200EB455	380	105	55	75	8	200	300	37	660	53	80
S250EB455	380	105	55	75	10	250	500	25	970	42	90
S300EB455	380	105	55	75	12	300	800	18	1210	33	90
S200EB475	380	141	75	100	8	200	300	48	660	64	80
S250EB475	380	141	75	100	10	250	500	34	1050	50	90
S300EB475	380	141	75	100	12	300	800	25	1250	40	90

## Movable Soft Pipe Installation (R)



## Movable Hard Pipe Installation (Y)



C.W.L : Continuous running water level  
L.W.L : Lowest running water level

## Dimensions table

Model	Ød	ØA1	ØB1	ØC1	n-Ød1	h1	h2	h3	W1	W2	H	O	P	Q	L	D	M1	M2	N1	N2
S200EB455	200	200	295	340	8-Ø22	604	524	294	1050	400	1540	320	323	320	440	643	643	673	1063	1163
S250EB455	250	250	350	395	12-Ø22	672	582	312	1080	440	1575	320	349	320	460	669	698	733	1143	1250
S300EB455	300	300	400	445	12-Ø22	/	649	329	1110	470	1610	359	398	320	490	718	/	813	/	1394
S200EB475	200	200	295	340	8-Ø22	604	524	294	1110	400	1540	320	323	320	440	643	643	673	1063	1163
S250EB475	250	250	350	395	12-Ø22	/	582	312	1140	440	1575	320	349	320	460	669	698	733	1143	125
S300EB475	300	300	400	445	12-Ø22	672	649	329	1170	470	1610	359	398	320	490	718	/	813	/	1394

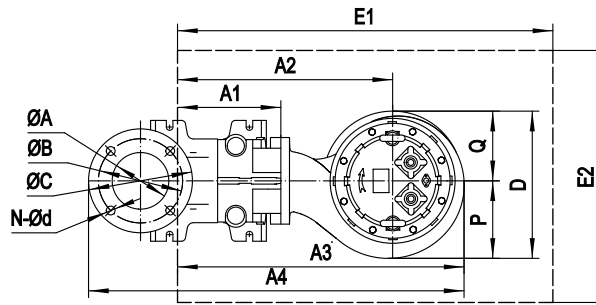
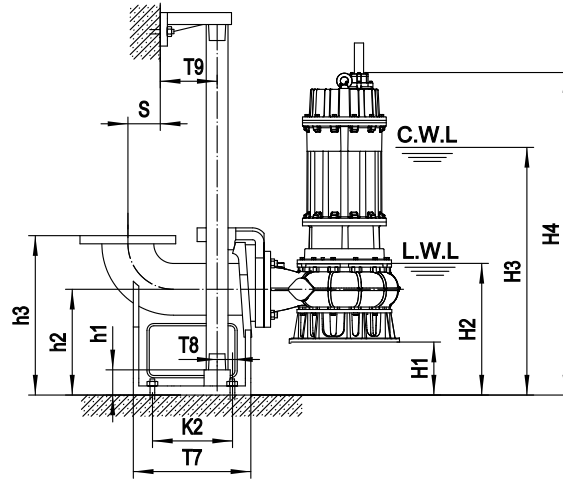
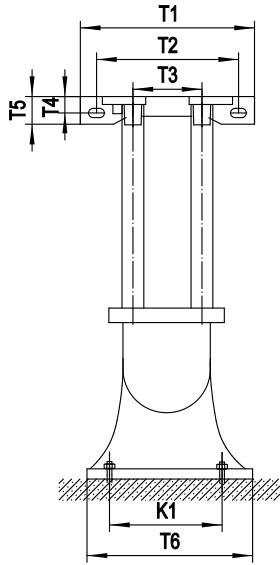
※Standard equipment of 250,300mm outlet dimension does not include the bend hose coupling

## Weights & Packing dimensions

Model	R			Y		
	N.W kg	G.W kg	Packing dimension mm	N.W kg	G.W kg	Packing dimension mm
S200EB455	800	832	920×700×1890	808	840	920×700×1890
S250EB455	786	818	830×720×1930	833	865	830×720×1930
S300EB455	823	858	900×770×1960	873	908	900×770×1960

Model	R			Y		
	N.W kg	G.W kg	Packing dimension mm	N.W kg	G.W kg	Packing dimension mm
S200EB475	874	906	920×700×1890	882	914	920×700×1890
S250EB475	860	892	830×720×1930	907	939	830×720×1930
S300EB475	897	932	900×770×1960	947	982	900×770×1960

## Auto-Coupled Installation (Z)



## Dimensions table

Auto coupling	ØA	ØB	ØC	N-Ød	T1	T2	T3	T4	T5	T6	T7	T8	T9	K1	K2	S	h1	h2	h3
200-200(PN10)	Ø200	295	340	8-Ø22	400	260	280	24	48	400	445	100	95	300	355	230	440	325	555
250-250(PN10)	Ø250	350	395	12-Ø22	400	260	280	24	48	460	555	110	95	360	430	295	460	315	630
300-300(PN10)	Ø300	400	445	12-Ø22	500	320	360	32	65	550	570	95	115	414	410	270	570	400	730

## Dimensions table

Model	Auto coupling	H1	H2	H3	H4	A1	A2	A3	A4	P	Q	D	E1×E2	Pump weight & packing dimension		
														N.W	G.W	Packing dimension
S200EB455	200-200(PN10)	31	430	1080	1570	285	725	1045	1443	323	320	643	1300×800	775	807	920×700×1890
S250EB455	250-250(PN10)	3	440	1080	1580	309	769	1089	1582	349	320	669	1300×800	786	818	830×720×1930
S300EB455	300-300(PN10)	71	540	1180	1680	335	825	1184	1676	398	320	718	1400×900	823	858	900×770×1960
S200EB475	200-200(PN10)	31	430	1140	1570	285	725	1045	1443	323	320	643	1300×800	849	881	920×700×1890
S250EB475	250-250(PN10)	3	440	1140	1580	309	769	1089	1582	349	320	669	1300×800	860	892	830×720×1930
S300EB475	300-300(PN10)	71	540	1240	1680	335	825	1184	1676	398	320	718	1400×900	897	932	900×770×1960