

REPC Model , 50 Hz Closed Coupled Centrifugal Pumps with flanged connections driven by IEC standard motor up to 90 kW



Application

ROTAMAC REPC are used for general water supply, irrigation and pressure boosting duties, for warm water, hot water and cooling water recirculation, domestic water supply systems, washing plants, water treatment and filter systems, fire-fighting systems, as well as for any clean liquids without abrasives, which are non-aggressive for the pump materials.

Design

Close-coupled centrifugal pumps connected with motor up to 90 kW. Back pull-out design, it allows removal of the motor, adapter, shaft and the impeller without removing the pump casing or disconnecting the pipes.

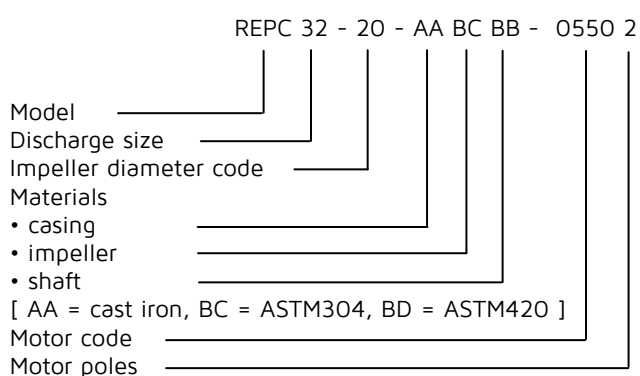
Pump casing with axial suction and radial delivery on top, main dimensions and performance according to EN 733 / DIN24255.

Flange dimensions comply with ISO7005 PN10/PN16. The pump are also available with flanges drilled to ANSI or JIS standard.

IEC standard motor is used. This makes easier to find a replacement motor, in case of necessity.

Available with integrated frequency converter designed for speed-controlled operation. Other motor makes subject to prior consultation with ROTAMAC.

Short Designation



Material Construction

Pump casing	cast iron ductile cast iron stainless steel 304 stainless steel 316
Impeller	cast iron brass bronze stainless steel 304 stainless steel 316
Shaft	stainless steel 420 stainless steel 304 stainless steel 316
Shaft seal	single mechanical seal

Operating Data

Flow rate	Q	up to 500 m ³ /h
Head	H	up to 155 m
Operating pressure	P	up to 16 bar
Operating temperature	T	up to 85 deg C
Motor rated output		up to 90 kW
Voltage		230Δ/400Y [220-240/380-415]
Frequency and Phase		50Hz/3Ph

Special Voltage

Single phase [0.37-2.2kW]	220-230/240
Three phase	200-220Δ/346-380Y 220-255Δ/380-440Y

Note: Other voltages are available on request.

Optional motors

The ROTAMAC standard range of motors covers a wide variety of application demands. However, for special applications or operating conditions, custom-built motor solutions can be provided.

For special applications or operating conditions, we offer custom-built motors such as

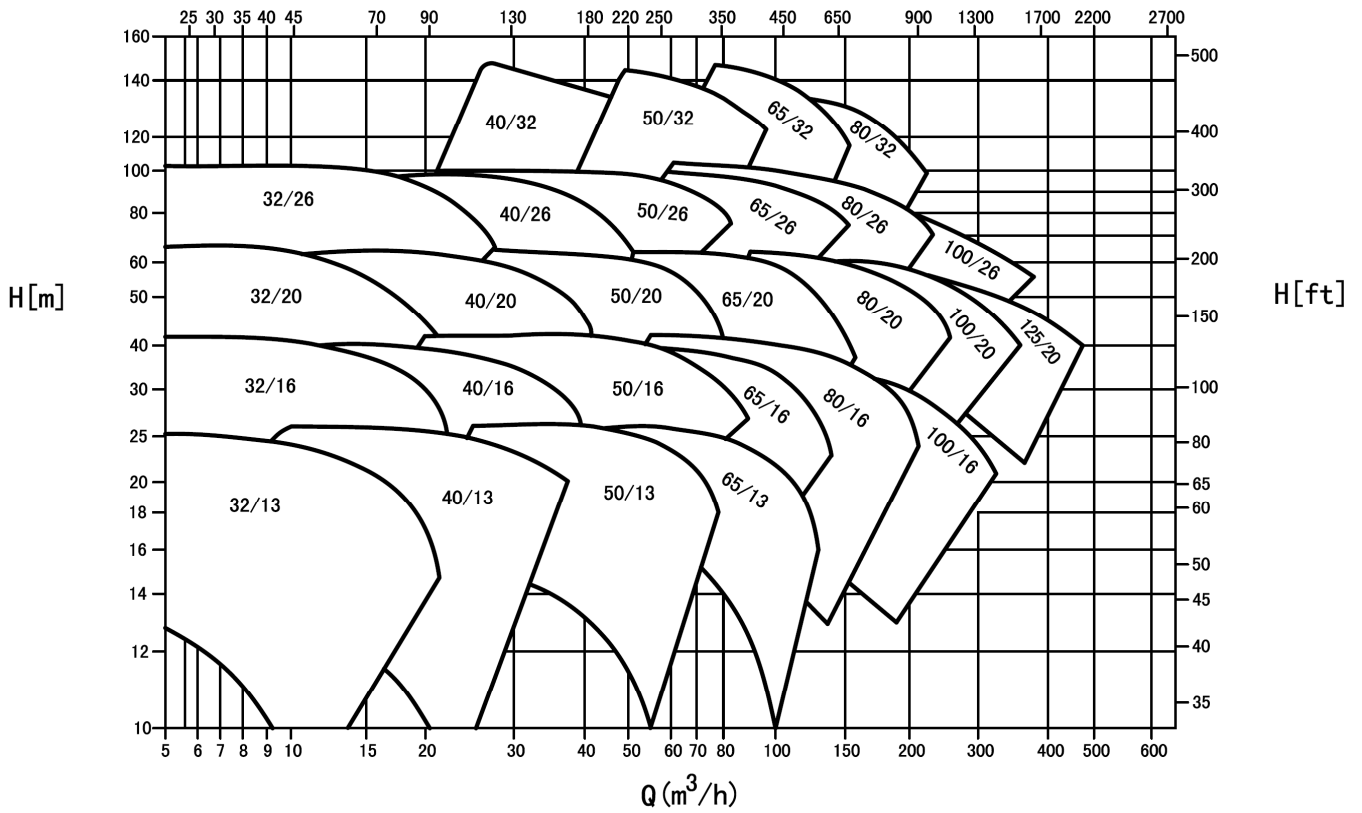
- ATEX-approved motors
- motors with anti-condensation heating unit
- motors with thermal protection.

Selection Charts

2900rpm

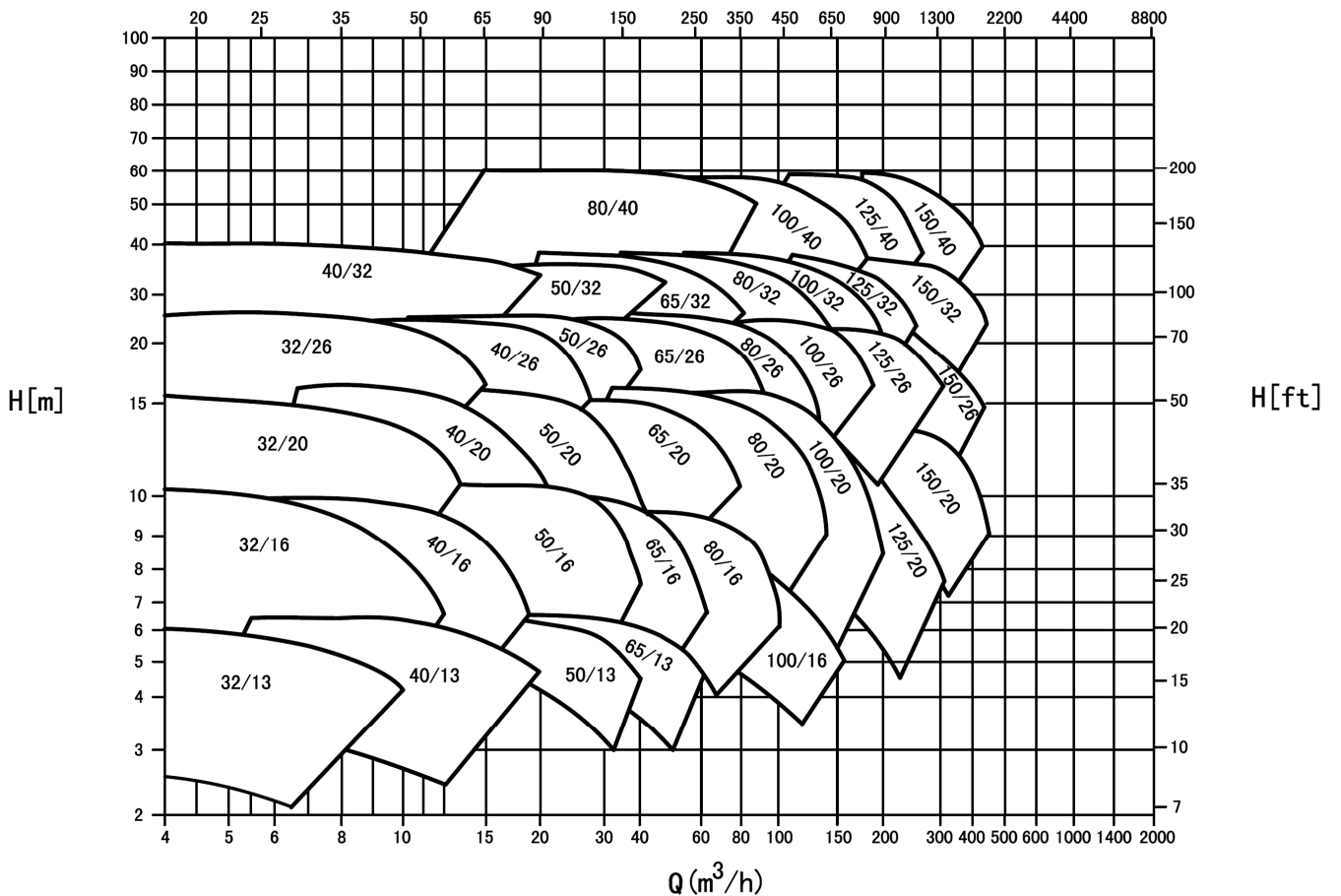
Q (U.S. G. P. M)

Curves on this page are for guidance only.
Refer to the performance curves on each model.

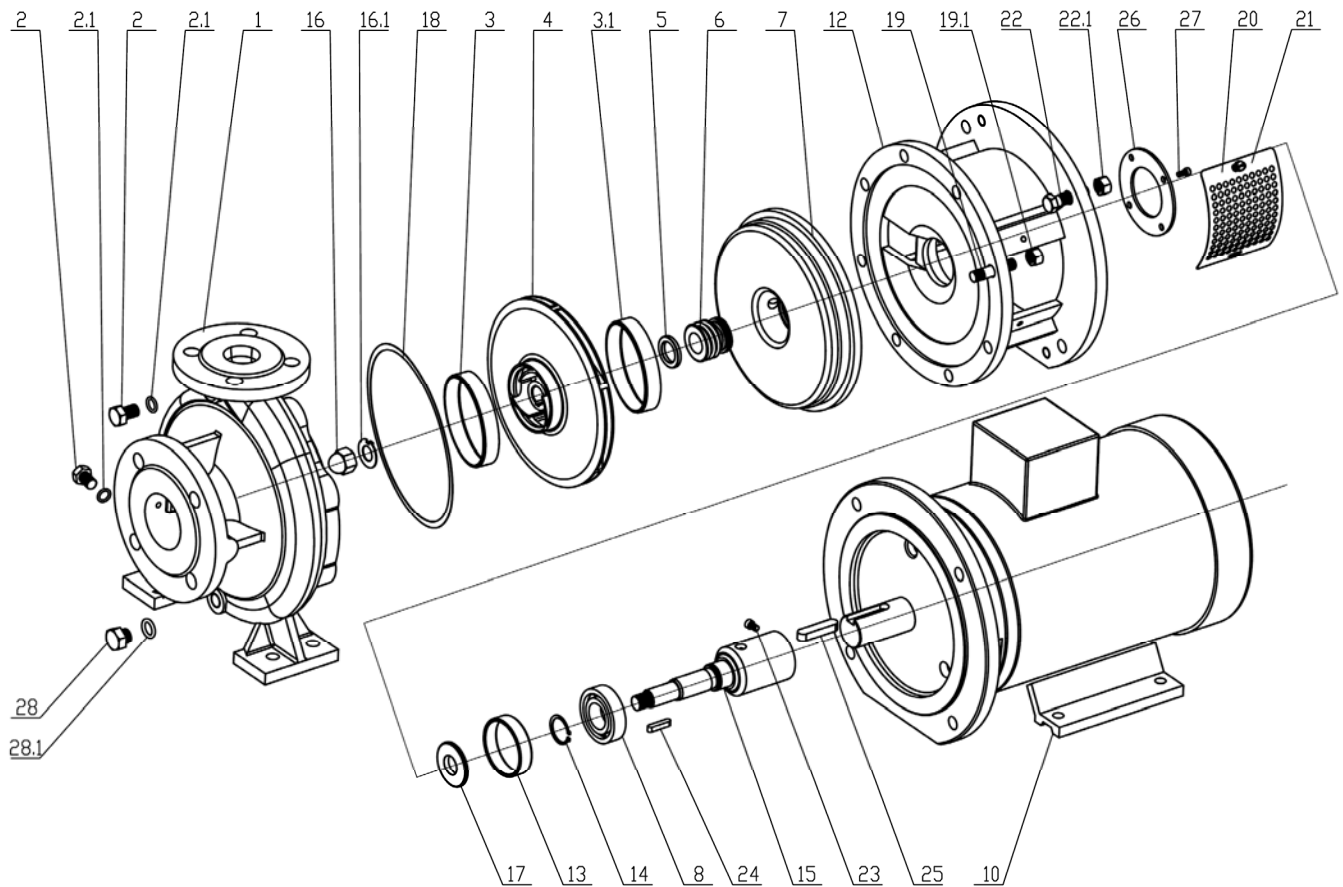


1450rpm

Q (U.S. G. P. M)



Exploded View Drawing

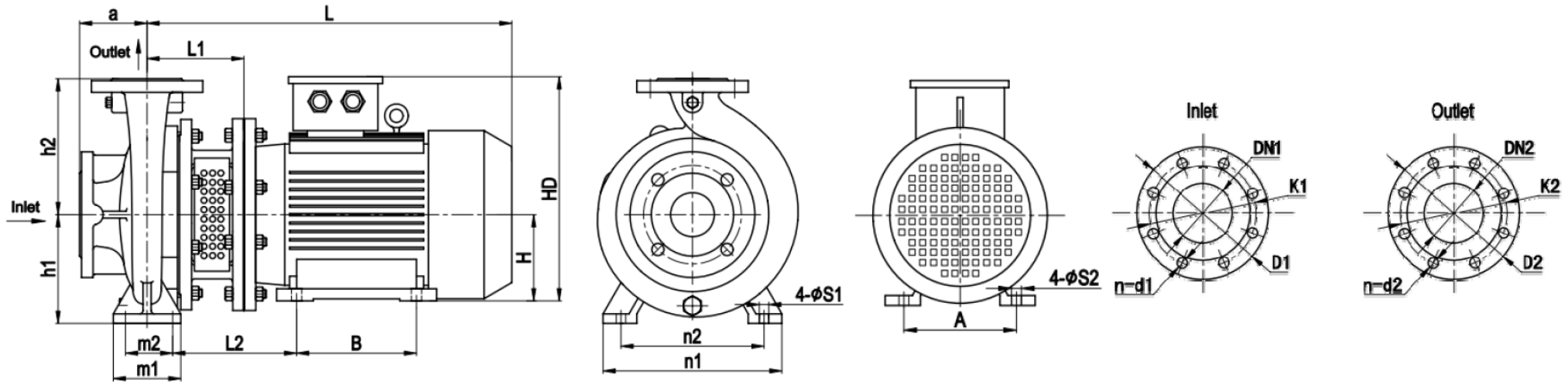


Code	Part Name	Materials
1	Casing	Cast iron, S.S. 304/316
2, 2.1	Plug and washer	Steel, S.S. 304/316 + PTFE
3	Wearing (front)	Cast iron, S.S. 304/316
3.1	Wearing (back)	Cast iron, S.S. 304/316
4	Impeller	Cast iron, Brass, Bronze, S.S. 304/316
5	Seal seat	2Cr13 (S.S.420), S.S. 304/316
6	Mechanical seal	Single mechanical seal
7	Casing cover	Cast iron, S.S. 304/316
8	Bearing	Ball bearing
10	Motor	IEC standard, B35 mounting
12	Adapter	Cast iron
13	Rubber check	Silicone rubber
14	External circlips	65Mn
15	Shaft	2Cr13 (S.S.420), S.S. 304/316

Code	Part Name	Materials
16	Impeller nut	Steel, S.S. 304/316
16.1	Lock washer	Steel, S.S. 304/316
17	Rubber slinger	Nitrile rubber
18	Casing gasket	Fiber, PTFE
19,19.1	Bolt and nut	Steel, S.S. 304
20	Shield	Zinc plate
21	Screw	Steel
22, 22.1	Bolt and nut	Steel, S.S. 304
23	Screw	Steel
24	Key	Steel, S.S. 304/316
25	Key	Steel
26	Bearing cover	Steel
27	Screw	Steel
28, 28.1	Plug and washer	Steel, S.S. 304/316 + PTFE

For the models other than 150-26, 65-32, 80-32, 100-32, 200-32, 80-40, 100-40, 125-40, 150-40 there is no parts of No.3.1
For the models of 40-32, 50-32, 65-32 and 80-32 while using 2900 rpm (2 poles motor), casing and casing cover will be made of ductile cast iron instead of cast iron.

Dimensions and Weights



Flanges : ISO7005 PN10/PN16 [flanges drilled to ANSI or JIS standard are available upon request]

DN1/DN2	32	40	50	65	80	100	125	150	200
D1/D2	140	150	165	185	200	220	250	285	340
K1/K2	100	110	125	145	160	180	210	240	295
n-d1/n-d2	4-φ18	4-φ18	4-φ18	4-φ18	8-φ18	8-φ18	8-φ18	8-φ22	12-φ22

Pump Dimensions and Weights

REPC Model	Motor		Flanges		Installation Dimensions (mm)																Weight (kg)		
	kW	Poles	DN1	DN2	a	h1	h2	L1	L2	L	A	B	H	HD	m1	m2	n1	n2	S1	S2	Pump	Motor	Total
32-13-00554	0.55	4	50	32	80	112	140	152	167	407	125	100	80	220	100	70	190	140	14	10	27	16	43
32-13-01102	1.1	2	50	32	80	112	140	152	167	407	125	100	80	220	100	70	190	140	14	10	27	17	44
32-13-01502	1.5	2	50	32	80	112	140	152	173	422	140	100	90	250	100	70	190	140	14	10	27	21	48
32-13-02202	2.2	2	50	32	80	112	140	152	173	447	140	125	90	250	100	70	190	140	14	10	27	26	52

Pump Dimensions and Weights

REPC Model	Motor		Flanges		Installation Dimensions (mm)																Weight (kg)		
	Pump Size	kW	Poles	DN1	DN2	a	h1	h2	L1	L2	L	A	B	H	HD	m1	m2	n1	n2	S1	S2	Pump	Motor
40-13-00554	0.55	4	65	40	80	112	140	152	167	407	125	100	80	220	100	70	210	160	14	10	29	16	45
40-13-01502	1.5	2	65	40	80	112	140	152	173	422	140	100	90	250	100	70	210	160	14	10	30	21	51
40-13-02202	2.2	2	65	40	80	112	140	152	173	447	140	125	90	250	100	70	210	160	14	10	30	26	55
40-13-03002	3	2	65	40	80	112	140	164	192	489	160	140	100	270	100	70	210	160	14	12	32	44	76
40-13-04002	4	2	65	40	80	112	140	164	199	504	190	140	112	300	100	70	210	160	14	12	32	43	75
50-13-00554	0.55	4	65	50	100	132	160	152	167	407	125	100	80	220	100	70	240	190	14	10	30	16	46
50-13-00754	0.75	4	65	50	100	132	160	152	167	407	125	100	80	220	100	70	240	190	14	10	30	17	47
50-13-01104	1.1	4	65	50	100	132	160	152	173	422	140	100	90	250	100	70	240	190	14	10	31	22	54
50-13-03002	3	2	65	50	100	132	160	164	192	489	160	140	100	270	100	70	240	190	14	12	39	44	83
50-13-04002	4	2	65	50	100	132	160	164	199	504	190	140	112	300	100	70	240	190	14	12	39	43	82
50-13-05502	5.5	2	65	50	100	132	160	187	241	577	216	140	132	345	100	70	240	190	14	12	40	65	105
50-13-07502	7.5	2	65	50	100	132	160	187	241	577	216	140	132	345	100	70	240	190	14	12	40	69	109
65-13-00754	0.75	4	80	65	100	160	180	152	154.5	407	125	100	80	220	125	95	280	212	14	10	36	17	53
65-13-01104	1.1	4	80	65	100	160	180	152	160.5	422	140	100	90	250	125	95	280	212	14	10	37	22	60
65-13-01504	1.5	4	80	65	100	160	180	152	160.5	447	140	125	90	250	125	95	280	212	14	10	37	27	64
65-13-05502	5.5	2	80	65	100	160	180	187	228.5	577	216	140	132	345	125	95	280	212	14	12	46	65	111
65-13-07502	7.5	2	80	65	100	160	180	187	228.5	577	216	140	132	345	125	95	280	212	14	12	46	69	115
65-13-11002	11	2	80	65	100	160	180	219	279.5	724	254	210	160	420	125	95	280	212	14	15	54	108	162
32-16-00554	0.55	4	50	32	80	132	160	152	167	407	125	100	80	220	100	70	240	190	14	10	31	16	48
32-16-00754	0.75	4	50	32	80	132	160	152	167	407	125	100	80	220	100	70	240	190	14	10	31	17	49
32-16-02202	2.2	2	50	32	80	132	160	152	173	447	140	125	90	250	100	70	240	190	14	10	32	26	57
32-16-03002	3	2	50	32	80	132	160	164	192	489	160	140	100	270	100	70	240	190	14	12	33	44	77
32-16-04002	4	2	50	32	80	132	160	164	199	504	190	140	112	300	100	70	240	190	14	12	33	43	76
32-16-05502	5.5	2	50	32	80	132	160	187	241	577	216	140	132	345	100	70	240	190	14	15	38	65	103
40-16-00554	0.55	4	65	40	80	132	160	152	167	407	125	100	80	220	100	70	240	190	14	10	32	16	48

Pump Dimensions and Weights

REPC Model	Motor		Flanges		Installation Dimensions (mm)																Weight (kg)		
	Pump Size	kW	Poles	DN1	DN2	a	h1	h2	L1	L2	L	A	B	H	HD	m1	m2	n1	n2	S1	S2	Pump	Motor
40-16-00754	0.75	4	65	40	80	132	160	152	167	407	125	100	80	220	100	70	240	190	14	10	32	17	49
40-16-01104	1.1	4	65	40	80	132	160	152	173	422	140	100	90	250	100	70	240	190	14	10	33	22	56
40-16-03002	3	2	65	40	80	132	160	164	192	489	160	140	100	270	100	70	240	190	14	12	35	44	79
40-16-04002	4	2	65	40	80	132	160	164	199	504	190	140	112	300	100	70	240	190	14	12	35	43	78
40-16-05502	5.5	2	65	40	80	132	160	187	241	577	216	140	132	345	100	70	240	190	14	12	39	65	104
40-16-07502	7.5	2	65	40	80	132	160	187	241	577	216	140	132	345	100	70	240	190	14	12	39	69	108
50-16-00554	0.55	4	65	50	100	160	180	152	167	407	125	100	80	220	100	70	265	212	14	10	35	16	51
50-16-00754	0.75	4	65	50	100	160	180	152	167	407	125	100	80	220	100	70	265	212	14	10	35	17	52
50-16-01104	1.1	4	65	50	100	160	180	152	173	422	140	100	90	250	100	70	265	212	14	10	36	22	58
50-16-01504	1.5	4	65	50	100	160	180	152	173	447	140	125	90	250	100	70	265	212	14	10	36	27	62
50-16-05502	5.5	2	65	50	100	160	180	187	241	577	216	140	132	345	100	70	265	212	14	12	42	65	107
50-16-07502	7.5	2	65	50	100	160	180	187	241	577	216	140	132	345	100	70	265	212	14	12	42	69	111
50-16-11002	11	2	65	50	100	160	180	219	292	724	254	210	160	420	100	70	265	212	14	15	45	108	153
50-16-15002	15	2	65	50	100	160	180	219	292	724	254	210	160	420	100	70	265	212	14	15	45	109	154
65-16-00754	0.75	4	80	65	100	160	200	152	154.5	407	125	100	80	220	125	95	280	212	14	10	39	17	56
65-16-01104	1.1	4	80	65	100	160	200	152	160.5	422	140	100	90	250	125	95	280	212	14	10	40	22	62
65-16-01504	1.5	4	80	65	100	160	200	152	160.5	447	140	125	90	250	125	95	280	212	14	10	40	27	67
65-16-02204	2.2	4	80	65	100	160	200	164	179.5	489	160	140	100	270	125	95	280	212	14	12	42	34	75
65-16-05502	5.5	2	80	65	100	160	200	187	228.5	577	216	140	132	345	125	95	280	212	14	12	47	65	112
65-16-07502	7.5	2	80	65	100	160	200	187	228.5	577	216	140	132	345	125	95	280	212	14	12	47	69	116
65-16-11002	11	2	80	65	100	160	200	219	279.5	724	254	210	160	420	125	95	280	212	14	15	49	108	157
65-16-15002	15	2	80	65	100	160	200	219	279.5	724	254	210	160	420	125	95	280	212	14	15	49	109	158
65-16-18502	18.5	2	80	65	100	160	200	219	279.5	779	254	254	160	420	125	95	280	212	14	15	49	133	182
80-16-01504	1.5	4	100	80	125	180	225	152	160.5	447	140	125	90	250	125	95	320	250	14	10	49	27	76
80-16-02204	2.2	4	100	80	125	180	225	164	179.5	489	160	140	100	270	125	95	320	250	14	12	51	34	85

Pump Dimensions and Weights

REPC Model	Motor		Flanges		Installation Dimensions (mm)																Weight (kg)		
Pump Size	kW	Poles	DN1	DN2	a	h1	h2	L1	L2	L	A	B	H	HD	m1	m2	n1	n2	S1	S2	Pump	Motor	Total
80-16-03004	3	4	100	80	125	180	225	164	179.5	489	160	140	100	270	125	95	320	250	14	12	51	37	88
80-16-11002	11	2	100	80	125	180	225	219	279.5	724	254	210	160	420	125	95	320	250	14	15	58	108	166
80-16-15002	15	2	100	80	125	180	225	219	279.5	724	254	210	160	420	125	95	320	250	14	15	58	109	167
80-16-18502	18.5	2	100	80	125	180	225	219	279.5	779	254	254	160	420	125	95	320	250	14	15	58	133	191
80-16-22002	22	2	100	80	125	180	225	219	292.5	809	279	241	180	455	125	95	320	250	14	15	58	155	213
80-16-30002	30	2	100	80	125	180	225	222	307.5	882	318	305	200	505	125	95	320	250	14	19	66	224	290
100-16-02204	2.2	4	125	100	125	200	250	191	194	516	160	140	100	270	160	120	360	280	18	12	70	34	104
100-16-03004	3	4	125	100	125	200	250	191	194	516	160	140	100	270	160	120	360	280	18	12	70	37	107
100-16-04004	4	4	125	100	125	200	250	191	201	531	190	140	112	300	160	120	360	280	18	12	71	47	118
100-16-15002	15	2	125	100	125	200	250	246	294	751	254	210	160	420	160	120	360	280	18	15	78	109	187
100-16-18502	18.5	2	125	100	125	200	250	246	294	806	254	241	160	420	160	120	360	280	18	15	78	133	211
100-16-22002	22	2	125	100	125	200	250	246	307	836	279	241	180	455	160	120	360	280	18	15	80	155	235
100-16-30002	30	2	125	100	125	200	250	249	322	909	318	305	200	505	160	120	360	280	18	19	82	224	306
32-20-00554	0.55	4	50	32	80	160	180	152	167	407	125	100	80	220	100	70	240	190	14	10	38	16	54
32-20-00754	0.75	4	50	32	80	160	180	152	167	407	125	100	80	220	100	70	240	190	14	10	38	17	55
32-20-01104	1.1	4	50	32	80	160	180	152	173	422	140	100	90	250	100	70	240	190	14	10	39	22	62
32-20-01504	1.5	4	50	32	80	160	180	152	173	447	140	125	90	250	100	70	240	190	14	10	39	27	66
32-20-04002	4	2	50	32	80	160	180	164	199	504	190	140	112	300	100	70	240	190	14	12	42	43	85
32-20-05502	5.5	2	50	32	80	160	180	187	241	577	216	140	132	345	100	70	240	190	14	12	44	65	109
32-20-07502	7.5	2	50	32	80	160	180	187	241	577	216	140	132	345	100	70	240	190	14	12	44	69	114
32-20-11002	11	2	50	32	80	160	180	219	292	724	254	210	160	420	100	70	240	190	14	15	49	108	157
40-20-00754	0.75	4	65	40	100	160	180	152	167	407	125	100	80	220	100	70	265	212	14	10	37	17	54
40-20-01104	1.1	4	65	40	100	160	180	152	173	422	140	100	90	250	100	70	265	212	14	10	38	22	61
40-20-01504	1.5	4	65	40	100	160	180	152	173	447	140	125	90	250	100	70	265	212	14	10	38	27	65
40-20-05502	5.5	2	65	40	100	160	180	187	241	577	216	140	132	345	100	70	265	212	14	12	43	65	108

Pump Dimensions and Weights

REPC Model	Motor		Flanges		Installation Dimensions (mm)																Weight (kg)		
	Pump Size	kW	Poles	DN1	DN2	a	h1	h2	L1	L2	L	A	B	H	HD	m1	m2	n1	n2	S1	S2	Pump	Motor
40-20-07502	7.5	2	65	40	100	160	180	187	241	577	216	140	132	345	100	70	265	212	14	12	43	69	112
40-20-11002	11	2	65	40	100	160	180	219	292	724	254	210	160	420	100	70	265	212	14	15	48	108	156
50-20-01104	1.1	4	65	50	100	160	200	155	173	425	140	100	90	250	100	70	265	212	14	10	43	22	65
50-20-01504	1.5	4	65	50	100	160	200	155	173	450	140	125	90	250	100	70	265	212	14	10	43	27	70
50-20-02204	2.2	4	65	50	100	160	200	167	192	492	160	140	100	270	100	70	265	212	14	12	46	34	79
50-20-07502	7.5	2	65	50	100	160	200	190	241	580	216	140	132	345	100	70	265	212	14	12	48	69	117
50-20-11002	11	2	65	50	100	160	200	222	292	727	254	210	160	420	100	70	265	212	14	15	53	108	161
50-20-15002	15	2	65	50	100	160	200	222	292	727	254	210	160	420	100	70	265	212	14	15	53	109	162
50-20-18502	18.5	2	65	50	100	160	200	222	292	782	254	254	160	420	100	70	265	212	14	15	53	133	185
65-20-02204	2.2	4	80	65	100	180	225	164	179.5	489	160	140	100	270	125	95	320	250	14	12	50	34	83
65-20-03004	3	4	80	65	100	180	225	164	179.5	489	160	140	100	270	125	95	320	250	14	12	50	37	86
65-20-04004	4	4	80	65	100	180	225	164	186.5	504	190	140	112	300	125	95	320	250	14	12	50	47	96
65-20-15002	15	2	80	65	100	180	225	219	279.5	724	254	210	160	420	125	95	320	250	14	15	57	109	166
65-20-18502	18.5	2	80	65	100	180	225	219	279.5	779	254	254	160	420	125	95	320	250	14	15	57	133	189
65-20-22002	22	2	80	65	100	180	225	219	292.5	809	279	241	180	455	125	95	320	250	14	15	57	155	212
65-20-30002	30	2	80	65	100	180	225	222	307.5	882	318	305	200	505	125	95	320	250	14	19	63	224	288
80-20-03004	3	4	100	80	125	180	250	180	195.5	505	160	140	100	270	125	95	345	280	14	12	56	37	93
80-20-04004	4	4	100	80	125	180	250	180	202.5	520	190	140	112	300	125	95	345	280	14	12	56	47	103
80-20-05504	5.5	4	100	80	125	180	250	203	244.5	593	216	140	132	345	125	95	345	280	14	12	60	65	125
80-20-07504	7.5	4	100	80	125	180	250	203	244.5	633	216	178	132	345	125	95	345	280	14	12	60	79	138
80-20-22002	22	2	100	80	125	180	250	235	308.5	825	279	241	180	455	125	95	345	280	14	15	68	155	223
80-20-30002	30	2	100	80	125	180	250	238	323.5	898	318	305	200	505	125	95	345	280	14	19	70	224	294
80-20-37002	37	2	100	80	125	180	250	238	323.5	898	318	305	200	505	125	95	345	280	14	19	70	235	305
80-20-45002	45	2	100	80	125	180	250	238	339.5	943	356	311	225	560	125	95	345	280	14	19	75	286	360
100-20-03004	3	4	125	100	125	200	280	180	183	505	160	140	100	270	160	120	360	280	18	12	68	37	105

Pump Dimensions and Weights

REPC Model	Motor		Flanges		Installation Dimensions (mm)																Weight (kg)		
	Pump Size	kW	Poles	DN1	DN2	a	h1	h2	L1	L2	L	A	B	H	HD	m1	m2	n1	n2	S1	S2	Pump	Motor
100-20-04004	4	4	125	100	125	200	280	180	190	520	190	140	112	300	160	120	360	280	18	12	68	47	115
100-20-05504	5.5	4	125	100	125	200	280	203	232	593	216	140	132	345	160	120	360	280	18	12	69	65	134
100-20-07504	7.5	4	125	100	125	200	280	203	232	633	216	178	132	345	160	120	360	280	18	12	69	79	147
100-20-11004	11	4	125	100	125	200	280	235	283	740	254	210	160	420	160	120	360	280	18	15	72	108	180
100-20-30002	30	2	125	100	125	200	280	238	311	898	318	305	200	505	160	120	360	280	18	19	79	224	303
100-20-37002	37	2	125	100	125	200	280	238	311	898	318	305	200	505	160	120	360	280	18	19	79	235	313
100-20-45002	45	2	125	100	125	200	280	238	327	943	356	311	225	560	160	120	360	280	18	19	83	286	369
100-20-55002	55	2	125	100	125	200	280	272	380	1042	406	349	250	615	160	120	360	280	18	24	95	373	469
100-20-75002	75	2	125	100	125	200	280	272	402	1117	457	368	280	680	160	120	360	280	18	24	96	485	580
125-20-07504	7.5	4	150	125	140	250	315	203	232	633	216	178	132	345	160	120	400	315	18	12	92	79	171
125-20-11004	11	4	150	125	140	250	315	235	283	740	254	210	160	420	160	120	400	315	18	15	96	108	204
125-20-45002	45	2	150	125	140	250	315	238	327	943	356	311	225	560	160	120	400	315	18	19	106	286	392
125-20-55002	55	2	150	125	140	250	315	272	380	1042	406	349	250	615	160	120	400	315	18	24	118	373	491
125-20-75002	75	2	150	125	140	250	315	272	402	1117	457	368	280	680	160	120	400	315	18	24	119	485	604
125-20-90002	90	2	150	125	140	250	315	272	402	1167	457	419	280	680	160	120	400	315	18	24	122	541	663
150-20-11004	11	4	200	150	160	280	400	262	295	767	254	241	160	420	200	150	400	315	23	15	96	108	204
150-20-15004	15	4	200	150	160	280	400	262	295	822	254	254	160	420	200	150	400	315	23	15	96	129	225
150-20-18504	18.5	4	200	150	160	280	400	262	308	852	279	241	180	455	200	150	400	315	23	15	98	157	255
32-26-02204	2.2	4	50	32	100	180	225	174	187.5	499	160	140	100	270	125	95	320	250	14	12	55	34	89
32-26-03004	3	4	50	32	100	180	225	174	187.5	499	160	140	100	270	125	95	320	250	14	12	55	37	92
32-26-11002	11	2	50	32	100	180	225	229	287.5	734	254	210	160	420	125	95	320	250	14	15	63	108	171
32-26-15002	15	2	50	32	100	180	225	229	287.5	734	254	210	160	420	125	95	320	250	14	15	63	109	173
32-26-18502	18.5	2	50	32	100	180	225	229	287.5	789	254	254	160	420	125	95	320	250	14	15	63	133	196
32-26-22002	22	2	50	32	100	180	225	229	300.5	819	279	241	180	455	125	95	320	250	14	15	64	155	219
40-26-02204	2.2	4	65	40	100	180	225	174	187.5	499	160	140	100	270	125	95	320	250	14	12	55	34	89

Pump Dimensions and Weights

REPC Model	Motor		Flanges		Installation Dimensions (mm)																Weight (kg)		
	Pump Size	kW	Poles	DN1	DN2	a	h1	h2	L1	L2	L	A	B	H	HD	m1	m2	n1	n2	S1	S2	Pump	Motor
40-26-03004	3	4	65	40	100	180	225	174	187.5	499	160	140	100	270	125	95	320	250	14	12	55	37	92
40-26-11002	11	2	65	40	100	180	225	229	287.5	734	254	210	160	420	125	95	320	250	14	15	63	108	171
40-26-15002	15	2	65	40	100	180	225	229	287.5	734	254	210	160	420	125	95	320	250	14	15	63	109	172
40-26-18502	18.5	2	65	40	100	180	225	229	287.5	789	254	254	160	420	125	95	320	250	14	15	63	133	195
40-26-22002	22	2	65	40	100	180	225	229	300.5	819	279	241	180	455	125	95	320	250	14	15	63	155	218
50-26-02204	2.2	4	65	50	100	180	225	175	187.5	500	160	140	100	270	125	95	320	250	14	12	56	34	90
50-26-03004	3	4	65	50	100	180	225	175	187.5	500	160	140	100	270	125	95	320	250	14	12	56	37	93
50-26-04004	4	4	65	50	100	180	225	175	194.5	515	190	178	112	300	125	95	320	250	14	12	56	47	103
50-26-05504	5.5	4	65	50	100	180	225	198	236.5	588	216	140	132	345	125	95	320	250	14	12	60	65	125
50-26-18502	18.5	2	65	50	100	180	225	230	287.5	790	254	254	160	420	125	95	320	250	14	15	62	133	195
50-26-22002	22	2	65	50	100	180	225	230	300.5	820	279	241	180	455	125	95	320	250	14	15	65	155	220
50-26-30002	30	2	65	50	100	180	225	233	315.5	893	318	305	200	505	125	95	320	250	14	19	71	224	295
50-26-37002	37	2	65	50	100	180	225	233	315.5	893	318	305	200	505	125	95	320	250	14	19	71	235	306
65-26-04004	4	4	80	65	100	200	250	180	190	520	190	140	112	300	160	120	360	280	18	12	66	47	113
65-26-05504	5.5	4	80	65	100	200	250	203	232	593	216	140	132	345	160	120	360	280	18	12	68	65	133
65-26-07504	7.5	4	80	65	100	200	250	203	232	633	216	178	132	345	160	120	360	280	18	12	68	79	147
65-26-30002	30	2	80	65	100	200	250	238	311	898	318	305	200	505	160	120	360	280	18	19	80	224	304
65-26-37002	37	2	80	65	100	200	250	238	311	898	318	305	200	505	160	120	360	280	18	19	80	235	315
65-26-45002	45	2	80	65	100	200	250	238	327	943	356	311	225	560	160	120	360	280	18	19	84	286	370
65-26-55002	55	2	80	65	100	200	250	272	380	1042	406	349	250	615	160	120	360	280	18	24	98	373	471
80-26-05504	5.5	4	100	80	125	200	280	203	232	593	216	140	132	345	160	120	400	315	18	12	75	65	140
80-26-07504	7.5	4	100	80	125	200	280	203	232	633	216	178	132	345	160	120	400	315	18	12	75	79	153
80-26-11004	11	4	100	80	125	200	280	235	283	740	254	210	160	420	160	120	400	315	18	15	81	108	189
80-26-37002	37	2	100	80	125	200	280	238	311	898	318	305	200	505	160	120	400	315	18	19	100	235	335
80-26-45002	45	2	100	80	125	200	280	238	327	943	356	311	225	560	160	120	400	315	18	19	102	286	388

Pump Dimensions and Weights

REPC Model	Motor		Flanges		Installation Dimensions (mm)																Weight (kg)		
	Pump Size	kW	Poles	DN1	DN2	a	h1	h2	L1	L2	L	A	B	H	HD	m1	m2	n1	n2	S1	S2	Pump	Motor
80-26-55002	55	2	100	80	125	200	280	272	380	1042	406	349	250	615	160	120	400	315	18	24	105	373	478
80-26-75002	75	2	100	80	125	200	280	272	402	1117	457	368	280	680	160	120	400	315	18	24	105	485	589
100-26-07504	7.5	4	125	100	140	225	280	207	236	637	216	178	132	345	160	120	400	315	18	12	85	79	164
100-26-11004	11	4	125	100	140	225	280	239	287	744	254	210	160	420	160	120	400	315	18	15	89	108	197
100-26-15004	15	4	125	100	140	225	280	239	287	799	254	254	160	420	160	120	400	315	18	15	89	129	217
100-26-55002	55	2	125	100	140	225	280	276	384	1046	406	349	250	615	160	120	400	315	18	24	105	373	478
100-26-75002	75	2	125	100	140	225	280	276	406	1121	457	368	280	680	160	120	400	315	18	24	112	485	597
100-26-90002	90	2	125	100	140	225	280	276	406	1171	457	419	280	680	160	120	400	315	18	24	112	541	653
125-26-11004	11	4	150	125	140	250	355	239	287	744	254	210	160	420	160	120	400	315	18	15	104	108	212
125-26-15004	15	4	150	125	140	250	355	239	287	799	254	254	160	420	160	120	400	315	18	15	104	129	233
125-26-18504	18.5	4	150	125	140	250	355	239	300	829	279	241	180	455	160	120	400	315	18	15	104	157	261
125-26-22004	22	4	150	125	140	250	355	239	300	869	279	279	180	455	160	120	400	315	18	15	104	179	283
125-26-30004	30	4	150	125	140	250	355	242	315	901	318	305	200	505	160	120	400	315	18	19	110	240	350
150-26-15004	15	4	200	150	160	250	355	248	281	808	254	254	160	420	200	150	450	350	23	15	135	129	264
150-26-18504	18.5	4	200	150	160	250	355	248	294	838	279	241	180	455	200	150	450	350	23	15	135	157	292
150-26-22004	22	4	200	150	160	250	355	248	294	878	279	279	180	455	200	150	450	350	23	15	135	179	314
150-26-30004	30	4	200	150	160	250	355	248	306	908	318	305	200	505	200	150	450	350	23	19	154	240	394
40-32-03004	3	4	65	40	125	200	250	180	195.5	505	160	140	100	270	125	95	345	280	14	12	75	37	112
40-32-04004	4	4	65	40	125	200	250	180	202.5	520	190	140	112	300	125	95	345	280	14	12	75	47	122
40-32-05504	5.5	4	65	40	125	200	250	202	243.5	592	216	140	132	345	125	95	345	280	14	12	79	65	144
40-32-07504	7.5	4	65	40	125	200	250	202	243.5	632	216	178	132	345	125	95	345	280	14	12	79	79	157
40-32-22002	22	2	65	40	125	200	250	238	311.5	828	279	241	180	455	125	95	345	280	14	15	84	155	239
40-32-30002	30	2	65	40	125	200	250	238	323.5	898	318	305	200	505	125	95	345	280	14	19	88	224	313
40-32-37002	37	2	65	40	125	200	250	238	323.5	898	318	305	200	505	125	95	345	280	14	19	88	235	323
40-32-45002	45	2	65	40	125	200	250	238	339.5	943	356	311	225	560	125	95	345	280	14	19	96	286	381

Pump Dimensions and Weights

REPC Model	Motor		Flanges		Installation Dimensions (mm)																Weight (kg)		
	Pump Size	kW	Poles	DN1	DN2	a	h1	h2	L1	L2	L	A	B	H	HD	m1	m2	n1	n2	S1	S2	Pump	Motor
40-32-55002	55	2	65	40	125	200	250	274	394.5	1044	406	349	250	615	125	95	345	280	14	24	114	373	487
50-32-04004	4	4	65	50	125	225	280	180	202.5	520	190	140	112	300	125	95	345	280	14	12	77	47	124
50-32-05504	5.5	4	65	50	125	225	280	202	243.5	592	216	140	132	345	125	95	345	280	14	12	81	65	147
50-32-07504	7.5	4	65	50	125	225	280	202	243.5	632	216	178	132	345	125	95	345	280	14	12	81	79	160
50-32-11004	11	4	65	50	125	225	280	238	298.5	743	254	210	160	420	125	95	345	280	14	15	86	108	194
50-32-37002	37	2	65	50	125	225	280	238	323.5	898	318	305	200	505	125	95	345	280	14	19	91	235	325
50-32-45002	45	2	65	50	125	225	280	238	339.5	943	356	311	225	560	125	95	345	280	14	19	98	286	384
50-32-55002	55	2	65	50	125	225	280	274	394.5	1044	406	349	250	615	125	95	345	280	14	24	116	373	490
50-32-75002	75	2	65	50	125	225	280	274	416.5	1119	457	368	280	680	125	95	345	280	14	24	117	485	601
65-32-05504	5.5	4	80	65	125	225	280	201	230	591	216	140	132	345	160	120	400	315	18	12	92	65	157
65-32-07504	7.5	4	80	65	125	225	280	201	230	631	216	178	132	345	160	120	400	315	18	12	92	79	171
65-32-11004	11	4	80	65	125	225	280	235	283	740	254	210	160	420	160	120	400	315	18	15	95	108	203
65-32-15004	15	4	80	65	125	225	280	235	283	795	254	254	160	420	160	120	400	315	18	15	95	129	224
65-32-45002	45	2	80	65	125	225	280	252	341	957	356	311	225	560	160	120	400	315	18	19	116	286	401
65-32-55002	55	2	80	65	125	225	280	272	380	1042	406	349	250	615	160	120	400	315	18	24	122	373	496
65-32-75002	75	2	80	65	125	225	280	272	402	1117	457	368	280	680	160	120	400	315	18	24	122	485	607
65-32-90002	90	2	80	65	125	225	280	272	402	1167	457	419	280	680	160	120	400	315	18	24	122	541	663
80-32-07504	7.5	4	100	80	125	250	315	201	230	631	216	178	132	345	160	120	400	315	18	12	95	79	174
80-32-11004	11	4	100	80	125	250	315	235	283	740	254	210	160	420	160	120	400	315	18	15	100	108	208
80-32-15004	15	4	100	80	125	250	315	235	283	795	254	254	160	420	160	120	400	315	18	15	100	129	229
80-32-18504	18.5	4	100	80	125	250	315	235	296	825	279	241	180	455	160	120	400	315	18	15	105	157	262
80-32-75002	75	2	100	80	125	250	315	272	402	1117	457	368	280	680	160	120	400	315	18	24	127	485	612
80-32-90002	90	2	100	80	125	250	315	272	402	1167	457	419	280	680	160	120	400	315	18	24	127	541	668
100-32-11004	11	4	125	100	140	250	315	235	283	740	254	210	160	420	160	120	400	315	18	15	105	108	213
100-32-15004	15	4	125	100	140	250	315	235	283	795	254	254	160	420	160	120	400	315	18	15	105	129	233

Pump Dimensions and Weights

REPC Model	Motor		Flanges		Installation Dimensions (mm)																Weight (kg)		
	Pump Size	kW	Poles	DN1	DN2	a	h1	h2	L1	L2	L	A	B	H	HD	m1	m2	n1	n2	S1	S2	Pump	Motor
100-32-18504	18.5	4	125	100	140	250	315	235	296	825	279	241	180	455	160	120	400	315	18	15	105	157	262
100-32-22004	22	4	125	100	140	250	315	235	296	865	279	279	180	455	160	120	400	315	18	15	105	179	283
100-32-30004	30	4	125	100	140	250	315	237	310	897	318	305	200	505	160	120	400	315	18	19	111	240	351
125-32-15004	15	4	150	125	140	280	355	249	282	809	254	254	160	420	200	150	500	400	23	15	138	129	266
125-32-18504	18.5	4	150	125	140	280	355	249	295	839	279	241	180	455	200	150	500	400	23	15	138	157	295
125-32-22004	22	4	150	125	140	280	355	249	295	879	279	279	180	455	200	150	500	400	23	15	138	179	316
125-32-30004	30	4	150	125	140	280	355	249	307	909	318	305	200	505	200	150	500	400	23	19	140	240	379
125-32-37004	37	4	150	125	140	280	355	285	359	965	356	286	225	560	200	150	500	400	23	19	148	301	449
150-32-22004	22	4	200	150	160	280	400	250	295	880	279	279	180	455	200	150	550	450	23	15	153	179	332
150-32-30004	30	4	200	150	160	280	400	250	307	910	318	305	200	505	200	150	550	450	23	19	155	240	395
150-32-37004	37	4	200	150	160	280	400	286	359	966	356	286	225	560	200	150	550	450	23	19	163	301	464
150-32-45004	45	4	200	150	160	280	400	286	359	991	356	311	225	560	200	150	550	450	23	19	163	312	476
150-32-55004	55	4	200	150	160	280	400	286	378	1056	406	349	250	615	200	150	550	450	23	24	178	383	561
80-40-15004	15	4	100	80	125	280	355	249	297	809	254	254	160	420	160	120	400	340	18	15	140	129	269
80-40-18504	18.5	4	100	80	125	280	355	249	310	839	279	241	180	455	160	120	400	340	18	15	142	157	299
80-40-22004	22	4	100	80	125	280	355	249	310	879	279	279	180	455	160	120	400	340	18	15	142	179	321
80-40-30004	30	4	100	80	125	280	355	249	322	909	318	305	200	505	160	120	400	340	18	19	148	240	387
100-40-22004	22	4	125	100	140	280	355	249	295	879	279	279	180	455	200	150	500	400	23	15	160	179	339
100-40-30004	30	4	125	100	140	280	355	249	307	909	318	305	200	505	200	150	500	400	23	19	162	240	401
100-40-37004	37	4	125	100	140	280	355	284	358	964	356	286	225	560	200	150	500	400	23	19	168	301	469
100-40-45004	45	4	125	100	140	280	355	284	358	989	356	311	225	560	200	150	500	400	23	19	168	312	480
125-40-30004	30	4	150	125	140	315	400	249	307	909	318	305	200	505	200	150	500	400	23	19	170	240	410
125-40-37004	37	4	150	125	140	315	400	284	358	964	356	286	225	560	200	150	500	400	23	19	176	301	476
125-40-45004	45	4	150	125	140	315	400	284	358	989	356	311	225	560	200	150	500	400	23	19	176	312	488
125-40-55004	55	4	150	125	140	315	400	284	377	1054	406	349	250	615	200	150	500	400	23	24	180	383	562

Pump Dimensions and Weights

REPC Model	Motor		Flanges		Installation Dimensions (mm)																Weight (kg)		
Pump Size	kW	Poles	DN1	DN2	a	h1	h2	L1	L2	L	A	B	H	HD	m1	m2	n1	n2	S1	S2	Pump	Motor	Total
125-40-75004	75	4	150	125	140	315	400	284	399	1129	457	368	280	680	200	150	500	400	23	24	181	544	725
150-40-37004	37	4	200	150	160	315	450	286	358	966	356	286	225	560	200	150	550	450	23	19	200	301	501
150-40-45004	45	4	200	150	160	315	450	286	358	991	356	311	225	560	200	150	550	450	23	19	200	312	512
150-40-55004	55	4	200	150	160	315	450	286	377	1056	406	349	250	615	200	150	550	450	23	24	203	383	586
150-40-75004	75	4	200	150	160	315	450	286	399	1131	457	368	280	680	200	150	550	450	23	24	205	544	748
150-40-90004	90	4	200	150	160	315	450	286	399	1181	457	419	280	680	200	150	550	450	23	24	205	587	791

